

# AirGENIO Modbus RTU/TCP guide



For air curtain with COMFORT, SUPERIOR or IC control and SC controls for air heaters

# 1. BASIC INFORMATION



BEFORE CONNECTING THE DEVICE, IT IS NECESSARY TO CAREFULLY READ THE INSTRUCTIONS FOR ITS OPERATION AND INSTALLATION OF THE DEVICE.



PLEASE CONSULT MODBUS XLS SPREADSHEET FOR DETAILS ON ALL RELEVANT MODBUS ADDRESSES

Modbus RTU default setting (RS485)	
modbus baudrate	9600
modbus parity	ODD
modbus stopbit	1
modbus address of the unit	1
PLC Addresses - BASE1	

Modbus TCP default setting *	
IP address	192.168.0.100
Mask	255.255.255.0
Gateway	192.168.0.1
Modbus port	502

\* Available only for SUPERIOR, IC3, SC controls.

### Communication method:

Master – control system (BMS)

Slave – control module B and module A (COMFORT, SUPERIOR, IC, SC controls)

### MODBUS RTU:

Every 8-bit byte of message contains two 4-bit hexadecimal characters. The transmission of a message must be continuous, the spaces between the characters must not be longer than 1.5 character. The beginning and end of the message is identified according to the bus rest longer than 3.5 character. The RTU frame format is shown in the picture.

### General structure of telegram [hex]:

Beginning	Address	Function	Data	CRC	End
> 3.5 characters	8 bits	8 bits	N * 8 bits	16 bits	> 3.5 characters

### Data block length

Size of **ADU on RS-485** = 253 bytes PDU + address(1 byte) + CRC (2 bytes) = **256 bytes**

### Address

Master has not any specific address, only slave units have to have an address unique in all MODBUS site.

### CRC

Field with generating polynom  $x^{16} + x^{15} + x^2 + 1$ .

## 2. WIRING

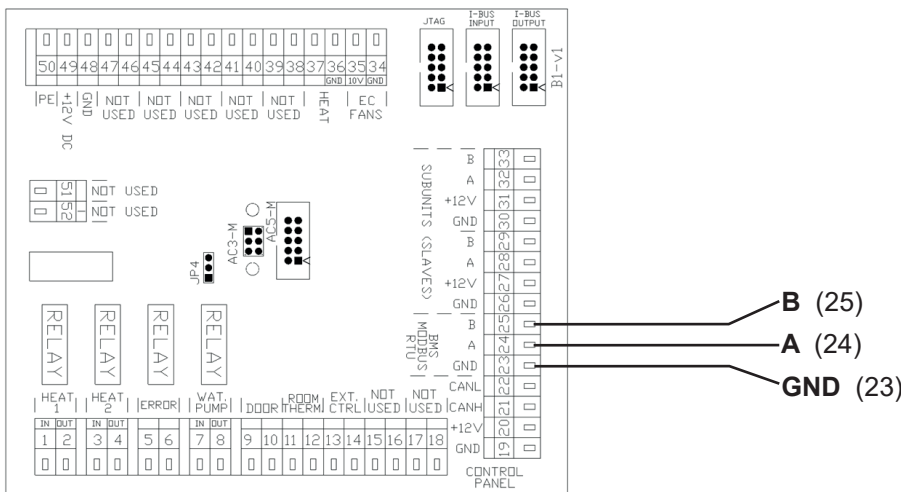
- Each device has a communication port with two terminals, which are indicated for the sake of convenience as A and B. In these two terminals the communication cable is connected so that all the devices that take part in the communication are connected in parallel.
- All the 'A' terminals must be connected together and all the 'B' terminals must be connected together respectively.
- In order to avoid errors when many devices are connected, cables of the same colour should be used for all the connections to the terminals A and cables of the same colour should be used for all the connections to the terminals B of the various devices (e.g. white for A and blue for B)
- Main boards (module-B, module-A) are already equipped with terminating resistor



Inverting the 'A' and 'B' connections of a device does not only prevent it from communicating but may also stop the entire communication system from working owing to incorrect direct (polarisation) voltage found on the terminals of the incorrectly connected device.

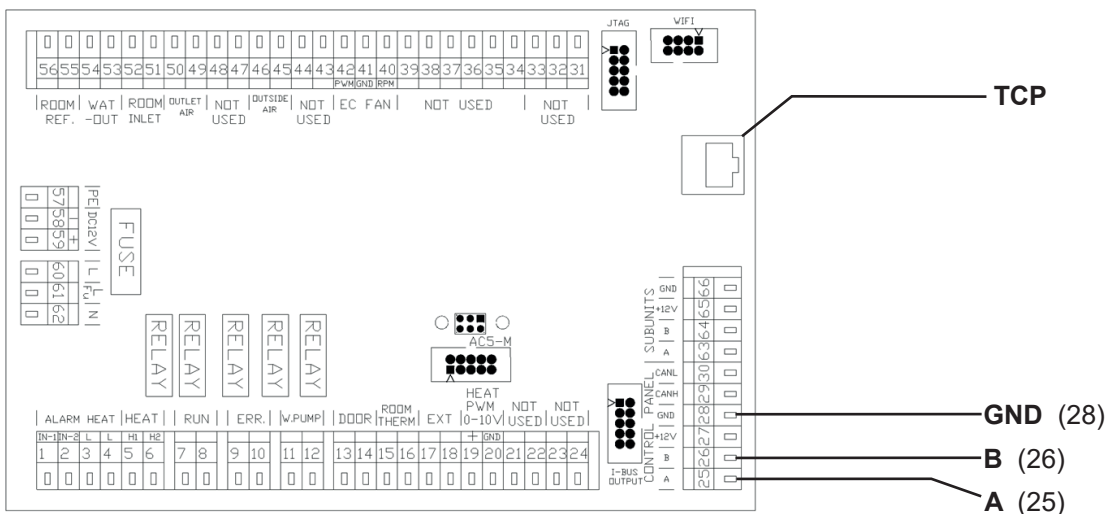
### COMFORT controls (module-B)

- Modbus RTU

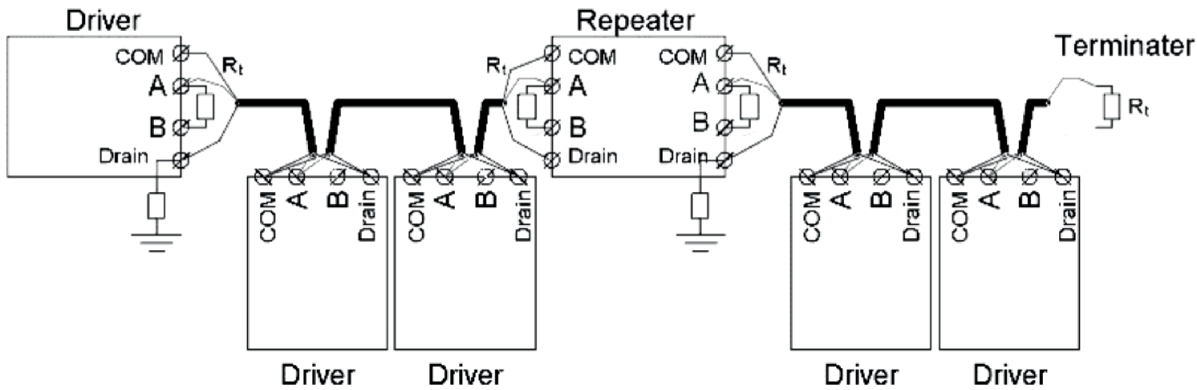


### SUPERIOR, IC, SC controls main board (module-A)

- Modbus RTU/TCP



- The main cable should be no longer than 150m! (In case of use high quality cables as Belden 3105A and adherence to all principles of proper installation of the Modbus network can be distance longer up to 700m). This distance does not include the branches (which must nevertheless be short). The maximum number of devices that can be connected to a main cable is 32, including the Master.
- In order to increase the extent of the Modbus network, repeaters can be used; and signal amplifying and regenerating devices provided with two communication ports that transfer to each what they receive from the other.

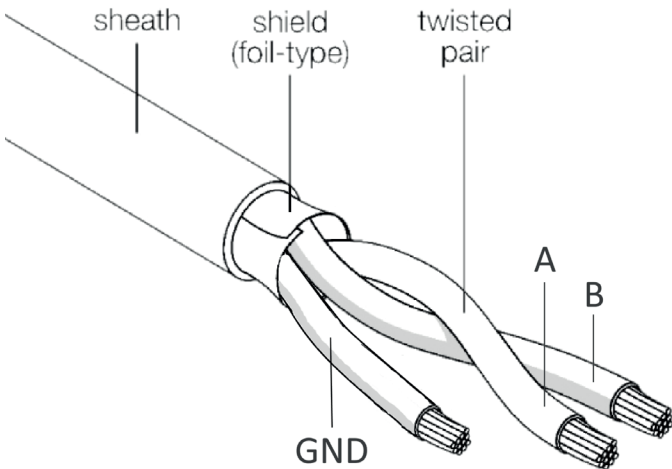


- Using a repeater, the main cable is divided into different segments, each of which can be up to 150 m in length and connect 32 devices (this number includes the repeaters). The maximum number of repeaters that should be serially connected is 3. A higher number introduces excessive delays in the communication system.

**Recommended cables**

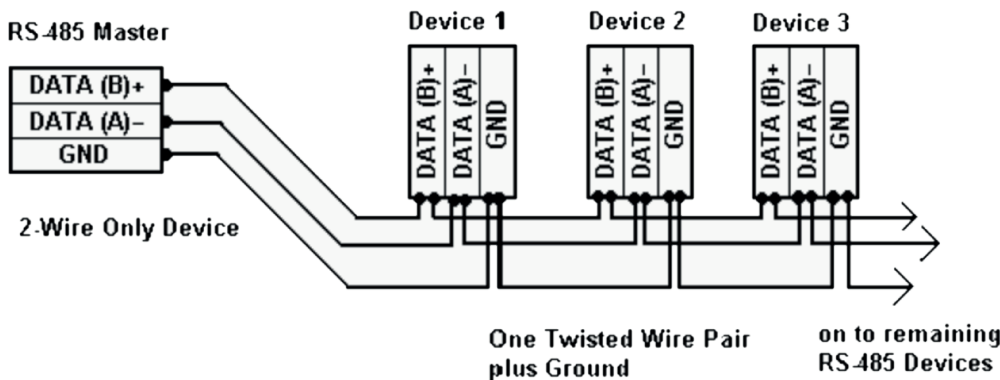
Shielded twisted pair (telephone type). For example, Belden 3105A cable can be specified, but different types of cable with equivalent characteristics can be used. The twin consists of two conductors that are twisted together and ground GND must be connected.

The shielding may be braided (be formed by a mesh of thin conducting wires) or be a foil (consisting of a sheet of metal wound around the conductors): the two types are equivalent.



**Earth connection of the shield**

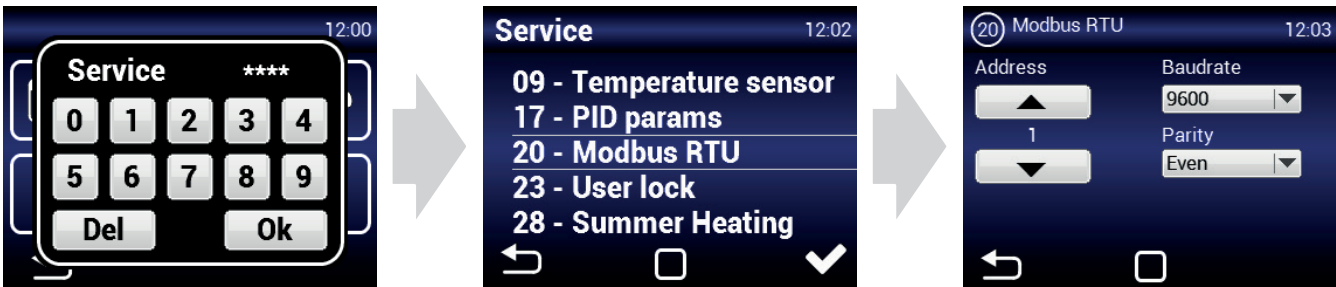
The cable shield must be earthed only in one point. Normally, this connection is made at one end of the main cable.



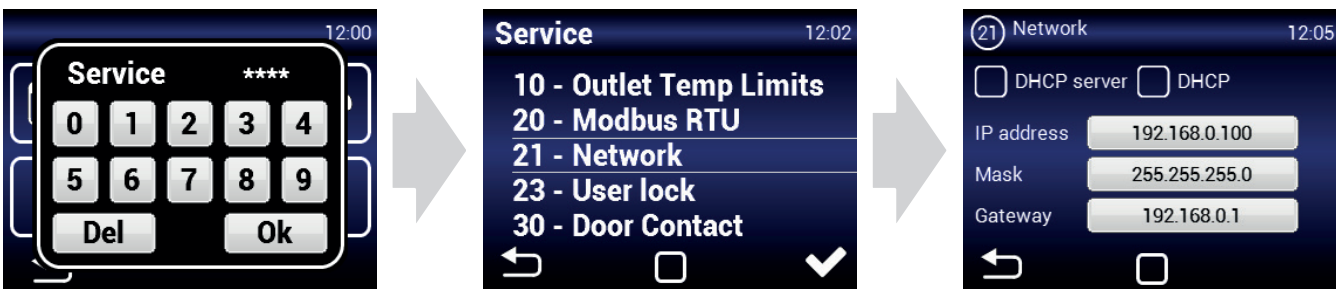
### 3. Modbus and Network setting

To set communication, you must enter to service settings (code 1616) or use default settings.

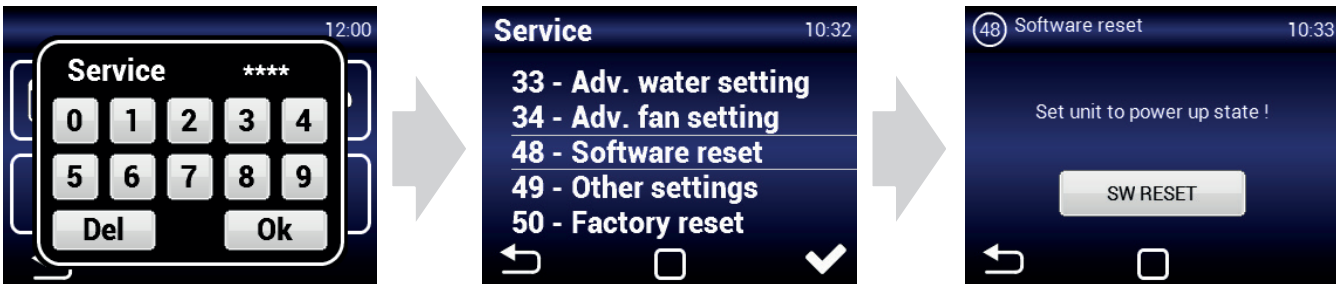
#### Modbus RTU settings (COMFORT, SUPERIOR, IC, SC)



#### Network settings for Modbus TCP (only SUPERIOR, IC, SC)



PLEASE AFTER OF ANY CHANGES IN MENU 20-MODBUS RTU OR 21-NETWORK IS NECESSARY PROVIDE SOFTWARE RESET



## 4. Modbus XLS spreadsheet information

Spreadsheet is complete file for all 2VV products with AirGENIO controls:  
Air curtains with COMFORT, SUPERIOR

HOLDING REGISTERS	FUNC_CODE
FACTORY_DRIVER	0x03,0x06,0x10
FACTORY_SET	0x03,0x06,0x10
SERVICE	0x03,0x06,0x10
SERVICE_HARD	0x03,0x06,0x10
SHARE	0x03,0x06,0x10
TIME_DRIVER	0x03,0x06,0x10
TIME_SWITCH_WEEK	0x03,0x06,0x10
TIME_SWITCH_YEAR	0x03,0x06,0x10
ERROR_LOG_AHU	0x03,0x06,0x10
ERROR_LOG_AC	0x03,0x06,0x10
ERROR_LOG_DRIVER	0x03,0x06,0x10
NETWORK	0x03,0x06,0x10
CFG_UNIT	0x03,0x06,0x10
WIFI_SETTINGS	0x03,0x06,0x10
DIRECT_CONTROL	0x03,0x06,0x10
NORDIC_SERVICE	0x03,0x06,0x10

INPUT REGISTERS	FUNC_CODE
INFO	0x04
STATUS_AHU	0x04
STATUS_AC	0x04
SLAVE_AC_STATUS	0x04
TIME	0x04

Used for HRU and AHU -green

Used for Air curtains, IC controllers and SC controllers - orange

Used for all products - without color marking

Address	Name	Structure	Info	Min. Value	Max. Value	Default	Enum
20030	PID_Postheater2_derivative constant	PID_xxD (min)		0	10	0	
20031	PID_Peheater_Proportional range	PID_Pxx °C (°F)		5(41)	60(140)	20(68)	
20032	PID_Preheater_Integration constant	PID_xlx (sec)		1	255	60	
20033	PID_Preheater_derivative constant	PID_xxD (min)		0	10	0	
20034	SupplyDuctTempMax		Maximal supply duct temperature °C (°F)	25(77)	45(113)	30(86)	
20035	SupplyDuctTempMin		Minimal supply duct temperature °C (°F)	15(59)	20(68)	15(59)	
20036	RequiredPressureVAV		Pa	0	1000	30	
20037	BypassTemperature		Minimal bypass temperature	0(32)	20(68)	15(59)	
20038	MaxFlowCalibration		Maximal flow after calibration	0	15000	dle adresy 10114 nebo 10111	
20039	MaxPressureCalibration		Maximal pressure after calibration	0	5000	30	
20040	FanCalibrationProcessed		FanCalibrationSucessfullyTerminated	0	1	0	FAN_CALIBRATION_NONE FAN_CALIBRATION_PROCESSED
20041	FilterCalibrationProcessed		FilterCalibrationSucessfullyTerminated	0	1	0	FILTER_CALIBRATION_NONE FILTER_CALIBRATION_PROCESSED
20042	reserva			0	0	0	
20043	reserva			0	0	0	
20044	OutsideTempSensorBMS		Outside temerature from BMS enable	0	1	0	OUT_TEMP-BMS_ENABLE OUT_TEMP_BMS_DISABLE
20045	FlowReductionUnderDuctMin		0 - disable 1 - enable	0	1	1	DUCT_MIN_FLOW_REDUCTION_DISABLE DUCT_MIN_FLOW_REDUCTION_ENABLE
20046	Rec_CO2Level1100		350 - 1100ppm	350	1100	1000	
20047	Rec_CO2Level2000		350 - 2000ppm	350	2000	1000	
20048	Rec_Temp_setpoint		°C (°F)	25(77)	40(104)	30(86)	
20049	Rec_Temp_setpoint_winter		°C (°F)	-20(-4)	-5(23)	-10(14)	
20050	Rec_PID_P		PID_Pxx %	5	70	20	
20051	Rec_PID_I		PID_xlx (sec)	1	255	60	
20052	Rec_PID_D		PID_xxD (min)	0	10	0	
<b>AIR CURTAIN</b>							
20053	SummerHeatEnable		Enable summer heat blocation	0	1	0	
20054	WinterMounthStart		Mounth when winter starts	1	12	10	
20055	WinterMounthStop		Mounth when winter ends	1	12	4	
20056	SummerTempHeaterEnable		Limit temperature to enable heat in summer Enable automatic speed control use	10	20	15	
20057	AutoSpeedControlEnable		0 - disable 1 - enable	0	1	0	
20058	AutoSpeedControlDeltaT		Delta T for automatic speed control changes (setpoint vs outside temperature)	1	5	1	
20059	NightTempReductionEnable		NightTempReductionEnable	0	1	0	
20060	NightTempReductionSetpointShift		Temperature setpoint shift for night reductor	-1	-5	-3	
20061	NightStartHour		Definition when night time start (hour)	0	23	0	

## 5. Examples

### 5.1. Air curtain with COMFORT control (RGJ3-VCES2-CO-E/V-MA, VCS-R4-CO-E/V-MA)

#### Manual fan and temperature control, error checking:

(PLC addresses BASE +1)

##### HOLDING REGISTERS

21001 - Turn unit off/on - 0 for OFF / 1 for ON  
 21002 - Address for Changin flow - value in ‰  
 21025 - Address for manual heat power - value in ‰

##### INPUT REGISTERS - PERIODIC CHECKING (READ ONLY)

18006 - actual unit flow  
 18001 - bit 7 - Global error

##### These addresses need to be set only once

43010 - set to 100 for no limit on fan  
 25033 - set to 0 for manual heat control  
 25009 - set to 0 for selected NONE sensor

#### Automatic fan and temperature control, with door contact, error checking:

(PLC addresses BASE +1)

##### HOLDING REGISTERS

21001 - Turn unit off/on - 0 for OFF / 1 for ON  
 21003 - set to 22 for setpoint temp. 22°C

##### INPUT REGISTERS - PERIODIC CHECKING (READ ONLY)

18001 - bit 7 - Global error  
 18000 - bit 9 - Door contact state

##### These addresses need to be set only once

43003 - set to 1 for door closed fan off  
 43005 - set to 0 for door closed fan off time  
 25033 - set to 1 for automatic heat control  
 25077 - set to 1 for automatic fan speed control  
 25009 - set to 2 for selected ROOM sensor  
 20065 - set to 1 for door contact usage  
 20067 - set to 1000 for open door flow  
 20069 - set to 22 for open door setpoint (23°C)  
 20070 - set to 0 for overrun mode

(PLC addresses BASE +1)

#### Automatic fan and temperature control, with door contact, 2pcs of slave air curtains, global door contact error checking:

(PLC addresses BASE +1)

##### HOLDING REGISTERS

21001 - Turn unit off/on - 0 for OFF / 1 for ON  
 21003 - set to 22 for setpoint temp. 22°C

##### These adresse need to be set only once

43003 - set to 1 for door closed fan off  
 43005 - set to 0 for door closed fan off time  
 25033 - set to 1 for automatic heat control  
 25077 - set to 1 for automatic fan speed control  
 25009 - set to 2 for selected ROOM sensor  
 20065 - set to 1 for door contact usage  
 25043 - set to 1 for global door contact usage  
 20067 - set to 1000 for open door flow  
 20069 - set to 22 for open door setpoint  
 20070 - set to 0 for overrun mode  
 25042 - set to 2 for slave units

##### INPUT REGISTERS - PERIODIC CHECKING (READ ONLY)

18001 - bit 7 - Global error

## 5.2. Air curtain with SUPERIOR control (RGJ3-VCES2-SU-E/V-MA, VCS-R4-SU-E/V-MA)

**Automatic fan and temperature control, door contact, error checking, actual room and outside temperature:**  
(PLC addresses BASE +1)

### HOLDING REGISTERS

21001 - Turn unit off/on - 0 for OFF / 1 for ON  
21003 - set to 22 for setpoint temp. 22°C

### INPUT REGISTERS - PERIODIC CHECKING (READ ONLY)

18006 - actual unit flow  
18001 - bit 7 - Global error  
18000 - bit 9 - Door contact state  
18007 - actual outside temperature

### These adresse need to be set only once

43003 - set to 1 for door closed fan off  
43005 - set to 0 for door closed fan off time  
25033 - set to 1 for automatic heat control  
25077 - set to 1 for automatic fan speed control  
25009 - set to 2 for selected ROOM sensor  
20065 - set to 1 for door contact usage  
20067 - set to 1000 for open door flow  
20069 - set to 22 for open door setpoint  
20070 - set to 0 for overrun mode  
25077 - set to 1 for automatic fan speed control

**Automatic fan and temperature control, selflearning mode for door contact, 4pcs of slave air curtains with actual flow and temperature - actual inlet and outside temperature:**

(PLC addresses BASE +1)

### HOLDING REGISTERS

21001 - Turn unit off/on - 0 for OFF / 1 for ON

### INPUT REGISTERS - PERIODIC CHECKING (READ ONLY)

18006 - actual unit flow  
18001 - bit 7 - Global error  
14002 - Actual flow on Slave 1  
14007 - Actual heat on Slave 1  
14012 - Actual flow on Slave 2  
14017 - Actual heat on Slave 2  
14022 - Actual flow on Slave 3  
14027 - Actual heat on Slave 3  
14032 - Actual flow on Slave 4  
14037 - Actual heat on Slave 4

### These adresse need to be set only once

25033 - set to 1 for automatic heat control  
25009 - set to 1 for selected INLET sensor  
20065 - set to 1 for door contact usage  
25043 - set to 1 for global door contact usage  
20066 - set to 1 for selflearning door contact mode  
20069 - set to 22 for open door setpoint  
25042 - set to 4 for slave units  
25077 - set to 1 for automatic fan speed control



### 5.3. IC control (IC-C-AC, IC-C-EC)

**Automatic fan and temperature control (water heater), door contact, error checking, actual room and outside temperature:**  
(PLC addresses BASE +1)

HOLDING REGISTERS

21001 - Turn unit off/on - 0 for OFF / 1 for ON  
21003 - set to 22 for setpoint temp. 22°C

INPUT REGISTERS - PERIODIC CHECKING (READ ONLY)

18006 - actual unit flow  
18001 - bit 7 - Global error  
18000 - bit 9 - Door contact state  
18007 - actual outside temperature

These adresse need to be set only once

43003 - set to 1 for door closed fan off  
43005 - set to 0 for door closed fan off time  
25005 - set to 2 for water heater option  
25033 - set to 1 for automatic heat control  
25077 - set to 1 for automatic fan speed control  
25009 - set to 2 for selected ROOM sensor  
20065 - set to 1 for door contact usage  
20067 - set to 1000 for open door flow  
20069 - set to 22 for open door setpoint  
20070 - set to 0 for overrun mode

**Manual fan and temperature control (water heater), error checking:**

HOLDING REGISTERS

21001 - Turn unit off/on - 0 for OFF / 1 for ON  
21002 - Address for Changin flow - value in ‰  
21025 - Address for Changin heat - value in %

INPUT REGISTERS - PERIODIC CHECKING (READ ONLY)

18013 - actual unit heat power  
18001 - bit 7 - Global error

These adresse need to be set only once

43010 - set to 100 for no limit on fan  
25033 - set to 0 for manual heat controll  
25009 - set to 0 for selected NONE sensor  
25005 - set to 2 for water heater option

### 5.4. SC control (SC-C-AC, SC-C-EC)

**Automatic fan and temperature control, DAY/NIGHT switching, error checking, actual room temperature:**  
(PLC addresses BASE +1)

HOLDING REGISTERS

21001 - Turn unit off/on - 0 for OFF / 1 for ON  
21003 - set to 22 for setpoint temp. 22°C  
21009 - Swithing between DAY/NIGHT mode (0 = DAY, 1 = NIGHT)

INPUT REGISTERS - PERIODIC CHECKING (READ ONLY)

18006 - actual unit flow  
18001 - bit 7 - Global error  
18007 - actual outside temperature

These adresse need to be set only once

25033 - set to 1 for automatic heat control  
25077 - set to 1 for automatic fan speed control  
25009 - set to 2 for selected ROOM sensor

**Automatic fan and temperature control, DAY/NIGHT switching, error checking, actual room temperature, BMS outside temperature sensor:**

*(PLC addresses BASE +1)*

HOLDING REGISTERS

21001 - Turn unit off/on - 0 for OFF / 1 for ON

21003 - set to 22 for setpoint temp. 22°C

21009 - Switching between DAY/NIGHT mode (0 = DAY, 1 = NIGHT)

23002 - temperature from BMS (need write each 30sec)

INPUT REGISTERS - PERIODIC CHECKING (READ ONLY)

18006 - actual unit flow

18001 - bit 7 - Global error

18007 - actual outside temperature

These adresse need to be set only once

25033 - set to 1 for automatic heat control

25077 - set to 1 for automatic fan speed control

25009 - set to 2 for selected ROOM sensor

20044 - set to 1 for enable BMS sensor

## 6. AVAILIBLE ADRESSES FOR AIRCURTAINS AND SC CONTROLS

SERVICE - Service register (Factory reset set to default)

SERVICE HARD - Service register (Factory reset no effect)

INFO - Info register - read only (Factory reset no effect)

STATUS AC - Status register - read only (Factory reset no effect)

SLAVE AC STATUS- Status register - read only (Factory reset no effect)

SHARE - Share register (Factory reset to default)

TIME - Time register (Factory reset to default)

TIME DRIVER - Time driver register (Factory reset to default)

TIME SWITCH WEEK - Time switch register (Factory reset to default)

TIME SWITCH YEAR - Time switch register (Factory reset set to default)

ERROR LOG AC - Status register (Factory reset no effect)

NETWORK - Network register (Factory reset no effect)

NORDIC SERVICE - Nordic service register (Factory reset set to default)

BMS TEMP SENSORS - (Factory reset no effect)

## SERVICE - Service register (Factory reset set to default)

Address	Name	Structure	Info	Min. Value	Max. Value	Default	Enum
20044	OutsideTempSensorBMS		Outside temperature from BMS enable	0	1	0	"OUT_TEMP-BMS_ENABLE OUT_TEMP_BMS_DISABLE"
20053	SummerHeatEnable		Enable summer heat blocation	0	1	0	
20054	WinterMounthStart		Mounth when winter starts	1	12	10	
20055	WinterMounthStop		Mounth when winter ends	1	12	4	
20056	SummerTempHeaterEnable		Limit temperature to enable heat in summer	10	20	15	
20057	AutoSpeedControlEnable		"Enable automatic speed control use 0 - disable 1 - enable"	0	1	0	
20058	AutoSpeedControlDeltaT		"Delta T for automatic speed control changes (setpoint vs outside temperature)"	1	5	1	
20059	NightTempReductionEnable		NightTempReductionEnable	0	1	0	
20060	NightTempReductionSetpointShift		Temperature setpoint shift for night reduction	-1	-5	-3	
20061	NightStartHour		Definition when night time start (hour)	0	23	0	
20062	NightStartMinute		Definition when night time ends (hour)	0	59	0	
20063	NightStopHour		Definition when night time start (hour)	0	23	0	
20064	NightStopMinute		Definition when night time ends (hour)	0	59	0	
20065	DoorContactEnable		"Door contact enable to use 0 - disable 1 - enable"	0	1	1	
20066	DoorContactMode		"Door contact mode selection 0 - Fixed 1 - Selflearning"	0	1	0	
20067	DoorContactFixedFlow_open		"Air flow in % for Fixed door Range set according (FACTORY SET: 10102 and 10111 ...10116)"	-	-	200	
20068	DoorContactFixedHeat_open		Heat output for fixed door	0	100	0	
20069	DoorContactFixedTempSetpoint		"Setpoint temperature for Fixed door Range set according selected sensor: Supply duct (15-45°C; 59-113F) Extract duct (15-30°C; 59-95F) Room (15-30°C; 59-86F)"	-	-	15	
20070	DoorContactFixedOverRunEnable		"Overrun mode 0 - disable 1 - time interval 2 - temperature"	0	2	1	
20071	DoorContactFixedOverRunMin-flowTime		Overrun time on minimal speed 5 - 300sec	5	300	10	
20072	DoorContactFixedOverRunMax-flowTime		Overrun time on maximal speed 5 - 300sec	5	300	10	
20073	DoorContactFixedOverRunTemp-Setpoint		"Setpoint temperature for overrun to temperature Supply duct (15-45°C; 59-113F) Extract duct (15-30°C; 59-95F) Room (15-30°C; 59-86F)"	-	-	15	
20074	DoorContactFixedOverRunTemp-Select		"Overrun temperature sensor selection 0 - Sensor CT-ROOM 1 - Thermostat"	0	1	0	

[BACK TO PAGE 11](#)

## SERVICE HARD - Service register (Factory reset no effect)

Address	Name	Structure	Info	Min. Value	Max. Value	Default	Enum
25005	Postheat_2_external		ALWAYS ANANLOG 0 - none (module B) 1 - electric 2 - water 3 - wco 4 - DX"	0	4	0	NONE ELECTRIC WATER WCO DX"
25009	TempSensorSelection		0 - Supply duct (15-45°C; 59-113F) 1 - Extract duct (15-30°C; 59-86F) 2 - Room (15-30°C; 59-86F) 3 - Thermostat 4 - Room BMS"	0	2	0	T_SUPPLY_DUCT T_EXTRACT_DUCT T_ROOM"
25019	FilterWoringHours		Filter working hours	0	3000	0	
25020	FilterMaxHours		Maximal filter working hours	200	3000	1440	
25021	modbus adress			1	247	1	
25022	modbus baudrate		4800 9600 14400 19200 38400"	4800	38400	9600	
25023	modbus parity		NONE ODD EVEN"	0	2	1	
25029	Daylight_saving		0 - NONE 1 - USED"	0	1	1	
25032	OutsideTempSensorAirCurtain		Outside temperature from BMS enable	0	2	0	OUT_TEMP_DISABLE = 0, OUT_TEMP_EXT1, OUT_TEMP_BMS"
25033	TemperatureControlMode		0 - manual 1 - automatic"	0	1	0	
25034	ErrorLogic		0 - NC 1 - NO"	0	1	1	
25035	DoorContactLogic		0 - NC 1 - NO"	0	1	1	
25036	ExtCtrlLogic		0 - NC 1 - NO"	0	1	0	
25037	RoomThermLogic		"0 - NC 1 - NO"	0	1	0	
25038	ExtCtrlFunction		0 - DI-5.x = NOT USED 1 - DI-5.x = External control 2 - DI-5.x = Night reduction"	0	2	0	
25039	AntifreezeTempAirSet		Antifreeze air temperature (INT-1)	5	15	5	
25040	AntifreezeTempWoutSet		Antifreeze water return temperature	10	20	10	
25041	AntifreezeTempDxSet		Antifreeze fluid temperature	0	5	0	
25042	NumberOfSlaveUnit		Specified number of slave units	0	10	0	
25043	GlobalDoorContactEnable		Door contact shared from master	0	1	1	
25044	GlobalExtCtrlEnable		External control shared from master	0	1	1	
25045	LocalSlavePowerSwitchEnable		0 - disable 1 - enable"	0	1	0	
25046	PreferManualOutput		0 - digital 1 - analog"	0	1	0	
25047	NumOfDigitalHeaters			0	1	1	
25048	NumOfMotors			0	8	0	

[BACK TO PAGE 11](#)

## INFO - Info register - read only (Factory reset no effect)

Address	Name	Structure	Info	Min. Value	Max. Value	Default	Enum
16008	IP adress 0.x.x.x		IP adress part1 (0x00-0xFF)	0	255	192	
16009	IP adress x.0.x.x		IP adress part2 (0x00-0xFF)	0	255	168	
16010	IP adress x.x.0.x		IP adress part3 (0x00-0xFF)	0	255	0	
16011	IP adress x.x.x.0		IP adress part4 (0x00-0xFF)	0	255	100	
16012	Mask 0.x.x.x		Mask part1 (0x00-0xFF)	0	255	255	
16013	Mask x.0.x.x		Mask part2 (0x00-0xFF)	0	255	255	
16014	Mask x.x.0.x		Mask part3 (0x00-0xFF)	0	255	255	
16015	Mask x.x.x.0		Mask part4 (0x00-0xFF)	0	255	0	
16016	Gateway 0.x.x.x		Gateway part1 (0x00-0xFF)	0	255	192	
16017	Gateway x.0.x.x		Gateway part2 (0x00-0xFF)	0	255	168	
16018	Gateway x.x.0.x		Gateway part3 (0x00-0xFF)	0	255	0	
16019	Gateway x.x.x.0		Gateway part4 (0x00-0xFF)	0	255	1	
16020	DHCP		"0 - DHCP off 1 - DHCP on"	0	1	0	"DHCP_OFF DHCP_ON"
16021	ModbusPort		Port number 1 - 0xFFFF	1	0xFFFF	502	
16022	MAC adress 0.x.x.x.x.x		MAC adress part1	0	255	-	
16023	MAC adress x.0.x.x.x.x		MAC adress part2	0	255	-	
16024	MAC adress x.x.0.x.x.x		MAC adress part3	0	255	-	
16025	MAC adress x.x.x.0.x.x		MAC adress part4	0	255	-	
16026	MAC adress x.x.x.x.0.x		MAC adress part5	0	255	-	
16027	MAC adress x.x.x.x.x.0		MAC adress part6	0	255	-	
16028	HW version Module A			0	FFFF		
16029	FW Module A		Firmware version Module A	0	FFFF		
16030	FW Module B		Firmware version Module B	0	FFFF		
16044	BTCP_1		Firmware version bootloader CP	0	FFFF		
16045	FWCP_1		Firmware version CP	0	FFFF		
16046	BTCP_2		Firmware version bootloader CP	0	FFFF		
16047	FWCP_2		Firmware version CP	0	FFFF		
16048	BTCP_3		Firmware version bootloader CP	0	FFFF		
16049	FWCP_3		Firmware version CP	0	FFFF		
16060	DHCP server		"0 - DHCP off 1 - DHCP on"	0	1	0	
16061	BACnet port			1	0xFFFF	0xBAC0	
16062	BACnet device ID MSB			0	0xFFFF	0	
16063	BACnet device ID LSB			0	0xFFFF	1	
16064	Local Broadcast 0.x.x.x		IP adress part1 (0x00-0xFF)	0	255	192	
16065	Local Broadcast x.0.x.x		IP adress part2 (0x00-0xFF)	0	255	168	
16066	Local Broadcast x.x.0.x		IP adress part3 (0x00-0xFF)	0	255	0	
16067	Local Broadcast x.x.x.0		IP adress part4 (0x00-0xFF)	0	255	255	
16068	Relay error extend			0	1	0	
16069	App pin			1000	9999		

[BACK TO PAGE 11](#)

## STATUS AC - Status register - read only (Factory reset no effect)

Address	Name	Structure	Info	Min. Value	Max. Value	Enum
<b>Unit global status</b>						
18000	bit0		OFF/ON	0	1	"OFF ON"
	bit1		Automatic heat	0	1	"AUTOHEAT_NON AUTOHEAT_MODE"
	bit2		Automatic flow	0	1	"AUTOFLOW_NON AUTOFLOW_MODE"
	bit3		NightReduction	0	1	"NIGHTREDUCTION_NON NIGHTREDUCTION_MODE"
	bit4		Timeswitch	0	1	"TIME_SW_NON TIME_SW_MODE"
	bit5		Cooldown	0	1	"COOLDWN_NON COOLDWN_MODE"
	bit6		WaterHeater_antifreeze_protection	0	1	"AT_FREEZE_OK AT_FREEZE"
	bit7		WaterHeater waiting for hot water	0	1	"HOT_WATER_NON HOT_WATER"
	bit8		SummerHeat	0	1	"WINTER SUMMER"
	bit9		OpenDoor	0	1	"CLOSED_DOOR OPEN_DOOR"
	bit10		DoorAfterRunning	0	1	"AFTERRUNING_NON AFTERRUNING_MODE"
	bit11		Heater Under Power	0	1	
	bit12		Savana Day Night	0	1	"SAVANA_DAY SAVANA_NIGHT"
	bit13		reserva	0	0	
	bit14		FW update error	0	1	
bit15		FW update active	0	1		
<b>Software error</b>						
18001	bit0		SwFanError	0	1	
	bit1		SwFanError1	0	1	
	bit2		SwFilterError	0	1	
	bit3		SwFilterWarning	0	1	
	bit4		SwHeaterError	0	1	
	bit5		SwDXError	0	1	
	bit6		SwDXDefrost	0	1	
	bit7		SwGlobalError	0	1	
	bit8		CfgFileError	0	1	
	bit9		IBUSGatewayError	0	1	
	bit10		Alarm temp room	0	1	
<b>Sensor status</b>						
18003	bit0		TempEXT1St - Outside air	0	1	"OK ERROR"
	bit1		TempEXT3St - Outlet air	0	1	"OK ERROR"
	bit2		TempINT1St - Inlet air	0	1	"OK ERROR"
	bit3		TempWOutSt - Water return	0	1	"OK ERROR"
	bit4		TempRoomSt - Room	0	1	"OK ERROR"
	bit5		OutsideTempSensorBmsSt	0	1	"OK ERROR"
	bit6		RoomTempSensorBmsSt	0	1	"OK ERROR"
	bit7		SensorFlowAlaramSt	0	1	"OK ERROR"

Address	Name	Structure	Info	Min. Value	Max. Value	Enum
<b>Input Status</b>						
18004	bit0		Status_DI_1_SafetyTherm1	0	0	"OK ERROR"
	bit1		Status_DI_2_SafetyTherm2	0	0	"OK ERROR"
	bit2		Status_DI_3_Ext_Control	0	1	"OK ERROR"
	bit3		Status_DI_4_RoomThermostat	0	1	"OK ERROR"
	bit4		Status_DI_5_Door	0	1	"OK ERROR"
	bit5		Status_DI_TACHO_1	0	1	"OK ERROR"
	bit6		Status_DI_TACHO_2	0	1	"OK ERROR"
	bit7		Status_DI_TACHO_3	0	1	"OK ERROR"
	bit8		Status_DI_TACHO_4	0	1	"OK ERROR"
	bit9		Status_DI_TACHO_5	0	1	"OK ERROR"
	bit10		Status_DI_TACHO_6	0	1	"OK ERROR"
	bit11		Status_DI_TACHO_7	0	1	"OK ERROR"
	bit12		Status_DI_TACHO_8	0	1	"OK ERROR"
	bit13		Status_DI_6_ADB_DX_error	0	1	"OK ERROR"
	bit14		Status_DI_7_HeatPumpDefrost	0	1	"OK ERROR"
bit15		Status_DI_8_HeatPumpError	0	1	"OK ERROR"	
<b>Output Status</b>						
18005	bit0		Status_DO_1_Heat1	0	1	"HEAT_CLOSED HEAT_OPEN"
	bit1		Status_DO_1_Heat2	0	1	"HEAT_CLOSED HEAT_OPEN"
	bit2		Status_DO_3_Run_indication	0	1	"RUN_INDICATION NO_RUN"
	bit3		Status_DO_4_Error	0	1	"ERROR_INDICATION NO_ERROR"
	bit4		Status_DO_5_Heat_cool	0	1	"EXCHANGER_COOL EXCHANGER_HEAT"
	bit5		Status_DO_6_Water_pump	0	1	"W_PUMP_A_OFF W_PUMP_A_ON"
	bit6		Damper	0	1	
18006	AirFlowFanManual		% of fan power	0	1000	% of fan power
18007	TempEXT1 - Outside air		°C (°F)	-40 (-40)	100 (212)	
18008	TempEXT3 - Outlet air		°C (°F)	-40 (-40)	100 (212)	
18009	TempINT1 - Inlet air		°C (°F)	-40 (-40)	100 (212)	
18010	TempWOut - Water return		°C (°F)	-40 (-40)	100 (212)	
18011	TempRoom - Room		°C (°F)	-40 (-40)	100 (212)	
18012	SensorFlowAlarm			0	1	
18013	PowerHeater		%	0	100	
18014	TempOutsideBMS		°C (°F)	-40 (-40)	100 (212)	
18015	RoomBMS		°C (°F)	-40 (-40)	101 (212)	
18016	FilterPercent		%	0	100	
18017	dummy			0	0xFFFF	



Address	Name	Structure	Info	Min. Value	Max. Value	Enum
<b>Tacho Board Status</b>						
18018	bit1		Status_DI_TACHO_1	0	1	"OK ERROR"
	bit2		Status_DI_TACHO_2	0	1	"OK ERROR"
	bit3		Status_DI_TACHO_3	0	1	"OK ERROR"
	bit4		Status_DI_TACHO_4	0	1	"OK ERROR"
	bit5		Status_DI_TACHO_5	0	1	"OK ERROR"
	bit6		Status_DI_TACHO_6	0	1	"OK ERROR"
	bit7		Status_DI_TACHO_7	0	1	"OK ERROR"
	bit8		Status_DI_TACHO_8	0	1	"OK ERROR"
	bit9		Status_DI_TACHO_9	0	1	"OK ERROR"
	bit10		Status_DI_TACHO_10	0	1	"OK ERROR"
18019	Temperature Setpoint		Control Panel Temp setpoint	0	1	
18020	Reserva					

[BACK TO PAGE 11](#)

## SLAVE AC STATUS- Status register - read only (Factory reset no effect)

Address	Name	Structure	Info	Min. Value	Max. Value	Enum
<b>SLAVE 1 - Unit global status</b>						
14000	bit0		OFF/ON	0	1	"OFF ON"
	bit1		Cooldown	0	1	"COOLDWN_NON COOLDWN_MODE"
	bit2		WaterHeater_antifreeze_protection	0	1	"AT_FREEZE_OK AT_FREEZE"
	bit3		Heater Overheat	0	1	
	bit4		OpenDoor	0	1	"CLOSED_DOOR OPEN_DOOR"
	bit5		DoorAfterRunning	0	1	"AFTERRUNNING_NON AFTERRUNNING_MODE"
	bit6		SensorFlowAlarmSt	0	1	"OK ERROR"
	bit7		TempEXT3St	0	1	"OK ERROR"
	bit8		TempINT1St	0	1	"OK ERROR"
	bit9		TempWOutSt	0	1	"OK ERROR"
	bit10		SwFanError	0	1	
	bit11		SwHeaterError	0	1	
	bit12		SwDXError	0	1	
	bit13		SwDXDefrost	0	1	
	bit14		SwGlobalError	0	1	
bit15		Communication Error	0	1		
<b>IO Status</b>						
14001	bit0		Status_DI_1_SafetyTherm1	0	1	"OK ERROR"
	bit1		Status_DI_2_Ext_Control	0	1	"OK ERROR"
	bit2		Status_DI_3_RoomThermostat	0	1	"OK ERROR"
	bit3		Status_DI_4_Door	0	1	"OK ERROR"
	bit4		Status_DI_TACHO_1	0	1	"OK ERROR"
	bit5		Status_DI_5_ADB_DX_error	0	1	"OK ERROR"
	bit6		Status_DI_6_HeatPumpDefrost	0	1	"OK ERROR"
	bit7		Status_DI_7_HeatPumpError	0	1	"OK ERROR"
	bit8		Status_DO_1_Heat1	0	1	"HEAT_CLOSED HEAT_OPEN"
	bit9		Status_DO_2_Heat2	0	1	"HEAT_CLOSED HEAT_OPEN"
	bit10		Status_DO_3_Water_pump	0	1	"W_PUMP_A_OFF W_PUMP_A_ON"
	bit11		HeaterUnderPower			
14002	AirFlowFanManual		% of fan power	0	1000	% of fan power
14003	TempEXT3 - Outlet air		°C (°F)	-40 (-40)	100 (212)	
14004	TempINT1 - Inlet air		°C (°F)	-40 (-40)	100 (212)	
14005	TempWOut - Water return		°C (°F)	-40 (-40)	100 (212)	
14006	SensorFlowAlarm			0	1	
14007	PowerHeater		%	0	100	

Address	Name	Structure	Info	Min. Value	Max. Value	Enum
<b>Tacho Board</b>						
14008	bit0		OFF/ON	0	1	"OFF ON"
	bit1		Cooldown	0	1	"COOLDWN_NON COOLDWN_MODE"
	bit2		WaterHeater_antifreeze_protection	0	1	"AT_FREEZE_OK AT_FREEZE"
	bit3		Heater Overheat			
	bit4		OpenDoor	0	1	"CLOSED_DOOR OPEN_DOOR"
	bit5		DoorAfterRunning	0	1	"AFTERRUNING_NON AFTERRUNING_MODE"
	bit6		SensorFlowAlaramSt	0	1	"OK ERROR"
	bit7		TempEXT3St	0	1	"OK ERROR"
	bit8		TempINT1St	0	1	"OK ERROR"
	bit9		TempWOutSt	0	1	"OK ERROR"

[BACK TO PAGE 11](#)

Address	Name	Structure	Info	Min. Value	Max. Value	Enum
<b>SLAVE 2 - Unit global status</b>						
14010	bit0		OFF/ON	0	1	"OFF ON"
	bit1		Cooldown	0	1	"COOLDWN_NON COOLDWN_MODE"
	bit2		WaterHeater_antifreeze_protection	0	1	"AT_FREEZE_OK AT_FREEZE"
	bit3		Heater Overheat			
	bit4		OpenDoor	0	1	"CLOSED_DOOR OPEN_DOOR"
	bit5		DoorAfterRunning	0	1	"AFTERRUNNING_NON AFTERRUNNING_MODE"
	bit6		SensorFlowAlarmSt	0	1	"OK ERROR"
	bit7		TempEXT3St	0	1	"OK ERROR"
	bit8		TempINT1St	0	1	"OK ERROR"
	bit9		TempWOutSt	0	1	"OK ERROR"
	bit10		SwFanError	0	1	
	bit11		SwHeaterError	0	1	
	bit12		SwDXError	0	1	
	bit13		SwDXDefrost	0	1	
	bit14		SwGlobalError	0	1	
	bit15		Communication Error	0	1	
<b>IO Status</b>						
14011	bit0		Status_DI_1_SafetyTherm1	0	1	"OK ERROR"
	bit1		Status_DI_2_Ext_Control	0	1	"OK ERROR"
	bit2		Status_DI_3_RoomThermostat	0	1	"OK ERROR"
	bit3		Status_DI_4_Door	0	1	"OK ERROR"
	bit4		Status_DI_TACHO_1	0	1	"OK ERROR"
	bit5		Status_DI_5_ADB_DX_error	0	1	"OK ERROR"
	bit6		Status_DI_6_HeatPumpDefrost	0	1	"OK ERROR"
	bit7		Status_DI_7_HeatPumpError	0	1	"OK ERROR"
	bit8		Status_DO_1_Heat1	0	1	"HEAT_CLOSED HEAT_OPEN"
	bit9		Status_DO_2_Heat2	0	1	"HEAT_CLOSED HEAT_OPEN"
	bit10		Status_DO_3_Water_pump	0	1	"W_PUMP_A_OFF W_PUMP_A_ON"
	bit11		HeaterUnderPower			
14012	AirFlowFanManual		% of fan power	0	1000	% of fan power
14013	TempEXT3 - Outlet air		°C (°F)	-40 (-40)	100 (212)	
14014	TempINT1 - Inlet air		°C (°F)	-40 (-40)	100 (212)	
14015	TempWOut - Water return		°C (°F)	-40 (-40)	100 (212)	
14016	SensorFlowAlarm			0	1	
14017	PowerHeater		%	0	100	

Address	Name	Structure	Info	Min. Value	Max. Value	Enum
<b>Tacho Board</b>						
14018	bit0		OFF/ON	0	1	"OFF ON"
	bit1		Cooldown	0	1	"COOLDWN_NON COOLDWN_MODE"
	bit2		WaterHeater_antifreeze_protection	0	1	"AT_FREEZE_OK AT_FREEZE"
	bit3		Heater Overheat			
	bit4		OpenDoor	0	1	"CLOSED_DOOR OPEN_DOOR"
	bit5		DoorAfterRunning	0	1	"AFTERRUNNING_NON AFTERRUNNING_MODE"
	bit6		SensorFlowAlaramSt	0	1	"OK ERROR"
	bit7		TempEXT3St	0	1	"OK ERROR"
	bit8		TempINT1St	0	1	"OK ERROR"
	bit9		TempWOutSt	0	1	"OK ERROR"

[BACK TO PAGE 11](#)

Address	Name	Structure	Info	Min. Value	Max. Value	Enum
<b>SLAVE 3 - Unit global status</b>						
14020	bit0		OFF/ON	0	1	"OFF ON"
	bit1		Cooldown	0	1	"COOLDWN_NON COOLDWN_MODE"
	bit2		WaterHeater_antifreeze_protection	0	1	"AT_FREEZE_OK AT_FREEZE"
	bit3		Heater Overheat			
	bit4		OpenDoor	0	1	"CLOSED_DOOR OPEN_DOOR"
	bit5		DoorAfterRunning	0	1	"AFTERRUNNING_NON AFTERRUNNING_MODE"
	bit6		SensorFlowAlarmSt	0	1	"OK ERROR"
	bit7		TempEXT3St	0	1	"OK ERROR"
	bit8		TempINT1St	0	1	"OK ERROR"
	bit9		TempWOutSt	0	1	"OK ERROR"
	bit10		SwFanError	0	1	
	bit11		SwHeaterError	0	1	
	bit12		SwDXError	0	1	
	bit13		SwDXDefrost	0	1	
	bit14		SwGlobalError	0	1	
bit15		Communication Error	0	1		
<b>IO Status</b>						
14021	bit0		Status DI_1_SafetyTherm1	0	1	"OK ERROR"
	bit1		Status DI_2_Ext_Control	0	1	"OK ERROR"
	bit2		Status DI_3_RoomThermostat	0	1	"OK ERROR"
	bit3		Status DI_4_Door	0	1	"OK ERROR"
	bit4		Status_DI_TACHO_1	0	1	"OK ERROR"
	bit5		Status_DI_5_ADB_DX_error	0	1	"OK ERROR"
	bit6		Status_DI_6_HeatPumpDefrost	0	1	"OK ERROR"
	bit7		Status_DI_7_HeatPumpError	0	1	"OK ERROR"
	bit8		Status_DO_1_Heat1	0	1	"HEAT_CLOSED HEAT_OPEN"
	bit9		Status_DO_2_Heat2	0	1	"HEAT_CLOSED HEAT_OPEN"
	bit10		Status_DO_3_Water_pump	0	1	"W_PUMP_A_OFF W_PUMP_A_ON"
	bit11		HeaterUnderPower			
14022	AirFlowFanManual		% of fan power	0	1000	% of fan power
14023	TempEXT3 - Outlet air		°C (°F)	-40 (-40)	100 (212)	
14024	TempINT1 - Inlet air		°C (°F)	-40 (-40)	100 (212)	
14025	TempWOut - Water return		°C (°F)	-40 (-40)	100 (212)	
14026	SensorFlowAlarm			0	1	
14027	PowerHeater		%	0	100	

Address	Name	Structure	Info	Min. Value	Max. Value	Enum
<b>Tacho Board</b>						
14028	bit0		OFF/ON	0	1	"OFF ON"
	bit1		Cooldown	0	1	"COOLDWN_NON COOLDWN_MODE"
	bit2		WaterHeater_antifreeze_protection	0	1	"AT_FREEZE_OK AT_FREEZE"
	bit3		Heater Overheat			
	bit4		OpenDoor	0	1	"CLOSED_DOOR OPEN_DOOR"
	bit5		DoorAfterRunning	0	1	"AFTERRUNNING_NON AFTERRUNNING_MODE"
	bit6		SensorFlowAlaramSt	0	1	"OK ERROR"
	bit7		TempEXT3St	0	1	"OK ERROR"
	bit8		TempINT1St	0	1	"OK ERROR"
	bit9		TempWOutSt	0	1	"OK ERROR"

[BACK TO PAGE 11](#)

Address	Name	Structure	Info	Min. Value	Max. Value	Enum
<b>SLAVE 4 - Unit global status</b>						
14030	bit0		OFF/ON	0	1	"OFF ON"
	bit1		Cooldown	0	1	"COOLDWN_NON COOLDWN_MODE"
	bit2		WaterHeater_antifreeze_protection	0	1	"AT_FREEZE_OK AT_FREEZE"
	bit3		Heater Overheat			
	bit4		OpenDoor	0	1	"CLOSED_DOOR OPEN_DOOR"
	bit5		DoorAfterRunning	0	1	"AFTERRUNNING_NON AFTERRUNNING_MODE"
	bit6		SensorFlowAlarmSt	0	1	"OK ERROR"
	bit7		TempEXT3St	0	1	"OK ERROR"
	bit8		TempINT1St	0	1	"OK ERROR"
	bit9		TempWOutSt	0	1	"OK ERROR"
	bit10		SwFanError	0	1	
	bit11		SwHeaterError	0	1	
	bit12		SwDXError	0	1	
	bit13		SwDXDefrost	0	1	
	bit14		SwGlobalError	0	1	
bit15		Communication Error	0	1		
<b>IO Status</b>						
14031	bit0		Status DI_1_SafetyTherm1	0	1	"OK ERROR"
	bit1		Status DI_2_Ext_Control	0	1	"OK ERROR"
	bit2		Status DI_3_RoomThermostat	0	1	"OK ERROR"
	bit3		Status DI_4_Door	0	1	"OK ERROR"
	bit4		Status_DI_TACHO_1	0	1	"OK ERROR"
	bit5		Status_DI_5_ADB_DX_error	0	1	"OK ERROR"
	bit6		Status_DI_6_HeatPumpDefrost	0	1	"OK ERROR"
	bit7		Status_DI_7_HeatPumpError	0	1	"OK ERROR"
	bit8		Status_DO_1_Heat1	0	1	"HEAT_CLOSED HEAT_OPEN"
	bit9		Status_DO_2_Heat2	0	1	"HEAT_CLOSED HEAT_OPEN"
	bit10		Status_DO_3_Water_pump	0	1	"W_PUMP_A_OFF W_PUMP_A_ON"
	bit11		HeaterUnderPower			
14032	AirFlowFanManual		% of fan power	0	1000	% of fan power
14033	TempEXT3 - Outlet air		°C (°F)	-40 (-40)	100 (212)	
14034	TempINT1 - Inlet air		°C (°F)	-40 (-40)	100 (212)	
14035	TempWOut - Water return		°C (°F)	-40 (-40)	100 (212)	
14036	SensorFlowAlarm			0	1	
14037	PowerHeater		%	0	100	



Address	Name	Structure	Info	Min. Value	Max. Value	Enum
<b>Tacho Board</b>						
14038	bit0		OFF/ON	0	1	"OFF ON"
	bit1		Cooldown	0	1	"COOLDWN_NON COOLDWN_MODE"
	bit2		WaterHeater_antifreeze_protection	0	1	"AT_FREEZE_OK AT_FREEZE"
	bit3		Heater Overheat			
	bit4		OpenDoor	0	1	"CLOSED_DOOR OPEN_DOOR"
	bit5		DoorAfterRunning	0	1	"AFTERRUNING_NON AFTERRUNING_MODE"
	bit6		SensorFlowAlaramSt	0	1	"OK ERROR"
	bit7		TempEXT3St	0	1	"OK ERROR"
	bit8		TempINT1St	0	1	"OK ERROR"
	bit9		TempWOutSt	0	1	"OK ERROR"

[BACK TO PAGE 11](#)

Address	Name	Structure	Info	Min. Value	Max. Value	Enum
<b>SLAVE 5 - Unit global status</b>						
14040	bit0		OFF/ON	0	1	"OFF ON"
	bit1		Cooldown	0	1	"COOLDWN_NON COOLDWN_MODE"
	bit2		WaterHeater_antifreeze_protection	0	1	"AT_FREEZE_OK AT_FREEZE"
	bit3		Heater Overheat			
	bit4		OpenDoor	0	1	"CLOSED_DOOR OPEN_DOOR"
	bit5		DoorAfterRunning	0	1	"AFTERRUNNING_NON AFTERRUNNING_MODE"
	bit6		SensorFlowAlarmSt	0	1	"OK ERROR"
	bit7		TempEXT3St	0	1	"OK ERROR"
	bit8		TempINT1St	0	1	"OK ERROR"
	bit9		TempWOutSt	0	1	"OK ERROR"
	bit10		SwFanError	0	1	
	bit11		SwHeaterError	0	1	
	bit12		SwDXError	0	1	
	bit13		SwDXDefrost	0	1	
	bit14		SwGlobalError	0	1	
	bit15		Communication Error	0	1	
<b>IO Status</b>						
14041	bit0		Status_DI_1_SafetyTherm1	0	1	"OK ERROR"
	bit1		Status_DI_2_Ext_Control	0	1	"OK ERROR"
	bit2		Status_DI_3_RoomThermostat	0	1	"OK ERROR"
	bit3		Status_DI_4_Door	0	1	"OK ERROR"
	bit4		Status_DI_TACHO_1	0	1	"OK ERROR"
	bit5		Status_DI_5_ADB_DX_error	0	1	"OK ERROR"
	bit6		Status_DI_6_HeatPumpDefrost	0	1	"OK ERROR"
	bit7		Status_DI_7_HeatPumpError	0	1	"OK ERROR"
	bit8		Status_DO_1_Heat1	0	1	"HEAT_CLOSED HEAT_OPEN"
	bit9		Status_DO_2_Heat2	0	1	"HEAT_CLOSED HEAT_OPEN"
	bit10		Status_DO_3_Water_pump	0	1	"W_PUMP_A_OFF W_PUMP_A_ON"
	bit11		HeaterUnderPower			
14042	AirFlowFanManual		% of fan power	0	1000	% of fan power
14043	TempEXT3 - Outlet air		°C (°F)	-40 (-40)	100 (212)	
14044	TempINT1 - Inlet air		°C (°F)	-40 (-40)	100 (212)	
14045	TempWOut - Water return		°C (°F)	-40 (-40)	100 (212)	
14046	SensorFlowAlarm			0	1	
14047	PowerHeater		%	0	100	

Address	Name	Structure	Info	Min. Value	Max. Value	Enum
<b>Tacho Board</b>						
14048	bit0		OFF/ON	0	1	"OFF ON"
	bit1		Cooldown	0	1	"COOLDWN_NON COOLDWN_MODE"
	bit2		WaterHeater_antifreeze_protection	0	1	"AT_FREEZE_OK AT_FREEZE"
	bit3		Heater Overheat			
	bit4		OpenDoor	0	1	"CLOSED_DOOR OPEN_DOOR"
	bit5		DoorAfterRunning	0	1	"AFTERRUNING_NON AFTERRUNING_MODE"
	bit6		SensorFlowAlaramSt	0	1	"OK ERROR"
	bit7		TempEXT3St	0	1	"OK ERROR"
	bit8		TempINT1St	0	1	"OK ERROR"
	bit9		TempWOutSt	0	1	"OK ERROR"

[BACK TO PAGE 11](#)

Address	Name	Structure	Info	Min. Value	Max. Value	Enum
<b>SLAVE 6 - Unit global status</b>						
14050	bit0		OFF/ON	0	1	"OFF ON"
	bit1		Cooldown	0	1	"COOLDWN_NON COOLDWN_MODE"
	bit2		WaterHeater_antifreeze_protection	0	1	"AT_FREEZE_OK AT_FREEZE"
	bit3		Heater Overheat			
	bit4		OpenDoor	0	1	"CLOSED_DOOR OPEN_DOOR"
	bit5		DoorAfterRunning	0	1	"AFTERRUNNING_NON AFTERRUNNING_MODE"
	bit6		SensorFlowAlarmSt	0	1	"OK ERROR"
	bit7		TempEXT3St	0	1	"OK ERROR"
	bit8		TempINT1St	0	1	"OK ERROR"
	bit9		TempWOutSt	0	1	"OK ERROR"
	bit10		SwFanError	0	1	
	bit11		SwHeaterError	0	1	
	bit12		SwDXError	0	1	
	bit13		SwDXDefrost	0	1	
	bit14		SwGlobalError	0	1	
bit15		Communication Error	0	1		
<b>IO Status</b>						
14051	bit0		Status DI_1_SafetyTherm1	0	1	"OK ERROR"
	bit1		Status DI_2_Ext_Control	0	1	"OK ERROR"
	bit2		Status DI_3_RoomThermostat	0	1	"OK ERROR"
	bit3		Status DI_4_Door	0	1	"OK ERROR"
	bit4		Status_DI_TACHO_1	0	1	"OK ERROR"
	bit5		Status_DI_5_ADB_DX_error	0	1	"OK ERROR"
	bit6		Status_DI_6_HeatPumpDefrost	0	1	"OK ERROR"
	bit7		Status_DI_7_HeatPumpError	0	1	"OK ERROR"
	bit8		Status_DO_1_Heat1	0	1	"HEAT_CLOSED HEAT_OPEN"
	bit9		Status_DO_2_Heat2	0	1	"HEAT_CLOSED HEAT_OPEN"
	bit10		Status_DO_3_Water_pump	0	1	"W_PUMP_A_OFF W_PUMP_A_ON"
	bit11		HeaterUnderPower			
14052	AirFlowFanManual		% of fan power	0	1000	% of fan power
14053	TempEXT3 - Outlet air		°C (°F)	-40 (-40)	100 (212)	
14054	TempINT1 - Inlet air		°C (°F)	-40 (-40)	100 (212)	
14055	TempWOut - Water return		°C (°F)	-40 (-40)	100 (212)	
14056	SensorFlowAlarm			0	1	
14057	PowerHeater		%	0	100	

Address	Name	Structure	Info	Min. Value	Max. Value	Enum
<b>Tacho Board</b>						
14058	bit0		OFF/ON	0	1	"OFF ON"
	bit1		Cooldown	0	1	"COOLDWN_NON COOLDWN_MODE"
	bit2		WaterHeater_antifreeze_protection	0	1	"AT_FREEZE_OK AT_FREEZE"
	bit3		Heater Overheat			
	bit4		OpenDoor	0	1	"CLOSED_DOOR OPEN_DOOR"
	bit5		DoorAfterRunning	0	1	"AFTERRUNING_NON AFTERRUNING_MODE"
	bit6		SensorFlowAlaramSt	0	1	"OK ERROR"
	bit7		TempEXT3St	0	1	"OK ERROR"
	bit8		TempINT1St	0	1	"OK ERROR"
	bit9		TempWOutSt	0	1	"OK ERROR"

[BACK TO PAGE 11](#)

Address	Name	Structure	Info	Min. Value	Max. Value	Enum
<b>SLAVE 7 - Unit global status</b>						
14060	bit0		OFF/ON	0	1	"OFF ON"
	bit1		Cooldown	0	1	"COOLDWN_NON COOLDWN_MODE"
	bit2		WaterHeater_antifreeze_protection	0	1	"AT_FREEZE_OK AT_FREEZE"
	bit3		Heater Overheat			
	bit4		OpenDoor	0	1	"CLOSED_DOOR OPEN_DOOR"
	bit5		DoorAfterRunning	0	1	"AFTERRUNNING_NON AFTERRUNNING_MODE"
	bit6		SensorFlowAlarmSt	0	1	"OK ERROR"
	bit7		TempEXT3St	0	1	"OK ERROR"
	bit8		TempINT1St	0	1	"OK ERROR"
	bit9		TempWOutSt	0	1	"OK ERROR"
	bit10		SwFanError	0	1	
	bit11		SwHeaterError	0	1	
	bit12		SwDXError	0	1	
	bit13		SwDXDefrost	0	1	
	bit14		SwGlobalError	0	1	
bit15		Communication Error	0	1		
<b>IO Status</b>						
14061	bit0		Status DI_1_SafetyTherm1	0	1	"OK ERROR"
	bit1		Status DI_2_Ext_Control	0	1	"OK ERROR"
	bit2		Status DI_3_RoomThermostat	0	1	"OK ERROR"
	bit3		Status DI_4_Door	0	1	"OK ERROR"
	bit4		Status_DI_TACHO_1	0	1	"OK ERROR"
	bit5		Status_DI_5_ADB_DX_error	0	1	"OK ERROR"
	bit6		Status_DI_6_HeatPumpDefrost	0	1	"OK ERROR"
	bit7		Status_DI_7_HeatPumpError	0	1	"OK ERROR"
	bit8		Status_DO_1_Heat1	0	1	"HEAT_CLOSED HEAT_OPEN"
	bit9		Status_DO_2_Heat2	0	1	"HEAT_CLOSED HEAT_OPEN"
	bit10		Status_DO_3_Water_pump	0	1	"W_PUMP_A_OFF W_PUMP_A_ON"
	bit11		HeaterUnderPower			
14062	AirFlowFanManual		% of fan power	0	1000	% of fan power
14063	TempEXT3 - Outlet air		°C (°F)	-40 (-40)	100 (212)	
14064	TempINT1 - Inlet air		°C (°F)	-40 (-40)	100 (212)	
14065	TempWOut - Water return		°C (°F)	-40 (-40)	100 (212)	
14066	SensorFlowAlarm			0	1	
14067	PowerHeater		%	0	100	

Address	Name	Structure	Info	Min. Value	Max. Value	Enum
<b>Tacho Board</b>						
14068	bit0		OFF/ON	0	1	"OFF ON"
	bit1		Cooldown	0	1	"COOLDWN_NON COOLDWN_MODE"
	bit2		WaterHeater_antifreeze_protection	0	1	"AT_FREEZE_OK AT_FREEZE"
	bit3		Heater Overheat			
	bit4		OpenDoor	0	1	"CLOSED_DOOR OPEN_DOOR"
	bit5		DoorAfterRunning	0	1	"AFTERRUNNING_NON AFTERRUNNING_MODE"
	bit6		SensorFlowAlaramSt	0	1	"OK ERROR"
	bit7		TempEXT3St	0	1	"OK ERROR"
	bit8		TempINT1St	0	1	"OK ERROR"
	bit9		TempWOutSt	0	1	"OK ERROR"

[BACK TO PAGE 11](#)

Address	Name	Structure	Info	Min. Value	Max. Value	Enum
<b>SLAVE 8 - Unit global status</b>						
14070	bit0		OFF/ON	0	1	"OFF ON"
	bit1		Cooldown	0	1	"COOLDWN_NON COOLDWN_MODE"
	bit2		WaterHeater_antifreeze_protection	0	1	"AT_FREEZE_OK AT_FREEZE"
	bit3		Heater Overheat			
	bit4		OpenDoor	0	1	"CLOSED_DOOR OPEN_DOOR"
	bit5		DoorAfterRunning	0	1	"AFTERRUNNING_NON AFTERRUNNING_MODE"
	bit6		SensorFlowAlarmSt	0	1	"OK ERROR"
	bit7		TempEXT3St	0	1	"OK ERROR"
	bit8		TempINT1St	0	1	"OK ERROR"
	bit9		TempWOutSt	0	1	"OK ERROR"
	bit10		SwFanError	0	1	
	bit11		SwHeaterError	0	1	
	bit12		SwDXError	0	1	
	bit13		SwDXDefrost	0	1	
	bit14		SwGlobalError	0	1	
bit15		Communication Error	0	1		
<b>IO Status</b>						
14071	bit0		Status DI_1_SafetyTherm1	0	1	"OK ERROR"
	bit1		Status DI_2_Ext_Control	0	1	"OK ERROR"
	bit2		Status DI_3_RoomThermostat	0	1	"OK ERROR"
	bit3		Status DI_4_Door	0	1	"OK ERROR"
	bit4		Status_DI_TACHO_1	0	1	"OK ERROR"
	bit5		Status_DI_5_ADB_DX_error	0	1	"OK ERROR"
	bit6		Status_DI_6_HeatPumpDefrost	0	1	"OK ERROR"
	bit7		Status_DI_7_HeatPumpError	0	1	"OK ERROR"
	bit8		Status_DO_1_Heat1	0	1	"HEAT_CLOSED HEAT_OPEN"
	bit9		Status_DO_2_Heat2	0	1	"HEAT_CLOSED HEAT_OPEN"
	bit10		Status_DO_3_Water_pump	0	1	"W_PUMP_A_OFF W_PUMP_A_ON"
	bit11		HeaterUnderPower			
14072	AirFlowFanManual		% of fan power	0	1000	% of fan power
14073	TempEXT3 - Outlet air		°C (°F)	-40 (-40)	100 (212)	
14074	TempINT1 - Inlet air		°C (°F)	-40 (-40)	100 (212)	
14075	TempWOut - Water return		°C (°F)	-40 (-40)	100 (212)	
14076	SensorFlowAlarm			0	1	
14077	PowerHeater		%	0	100	



Address	Name	Structure	Info	Min. Value	Max. Value	Enum
<b>Tacho Board</b>						
14078	bit0		OFF/ON	0	1	"OFF ON"
	bit1		Cooldown	0	1	"COOLDWN_NON COOLDWN_MODE"
	bit2		WaterHeater_antifreeze_protection	0	1	"AT_FREEZE_OK AT_FREEZE"
	bit3		Heater Overheat			
	bit4		OpenDoor	0	1	"CLOSED_DOOR OPEN_DOOR"
	bit5		DoorAfterRunning	0	1	"AFTERRUNING_NON AFTERRUNING_MODE"
	bit6		SensorFlowAlaramSt	0	1	"OK ERROR"
	bit7		TempEXT3St	0	1	"OK ERROR"
	bit8		TempINT1St	0	1	"OK ERROR"
	bit9		TempWOutSt	0	1	"OK ERROR"

[BACK TO PAGE 11](#)

Address	Name	Structure	Info	Min. Value	Max. Value	Enum
<b>SLAVE 9 - Unit global status</b>						
14080	bit0		OFF/ON	0	1	"OFF ON"
	bit1		Cooldown	0	1	"COOLDWN_NON COOLDWN_MODE"
	bit2		WaterHeater_antifreeze_protection	0	1	"AT_FREEZE_OK AT_FREEZE"
	bit3		Heater Overheat			
	bit4		OpenDoor	0	1	"CLOSED_DOOR OPEN_DOOR"
	bit5		DoorAfterRunning	0	1	"AFTERRUNNING_NON AFTERRUNNING_MODE"
	bit6		SensorFlowAlarmSt	0	1	"OK ERROR"
	bit7		TempEXT3St	0	1	"OK ERROR"
	bit8		TempINT1St	0	1	"OK ERROR"
	bit9		TempWOutSt	0	1	"OK ERROR"
	bit10		SwFanError	0	1	
	bit11		SwHeaterError	0	1	
	bit12		SwDXError	0	1	
	bit13		SwDXDefrost	0	1	
	bit14		SwGlobalError	0	1	
	bit15		Communication Error	0	1	
<b>IO Status</b>						
14081	bit0		Status_DI_1_SafetyTherm1	0	1	"OK ERROR"
	bit1		Status_DI_2_Ext_Control	0	1	"OK ERROR"
	bit2		Status_DI_3_RoomThermostat	0	1	"OK ERROR"
	bit3		Status_DI_4_Door	0	1	"OK ERROR"
	bit4		Status_DI_TACHO_1	0	1	"OK ERROR"
	bit5		Status_DI_5_ADB_DX_error	0	1	"OK ERROR"
	bit6		Status_DI_6_HeatPumpDefrost	0	1	"OK ERROR"
	bit7		Status_DI_7_HeatPumpError	0	1	"OK ERROR"
	bit8		Status_DO_1_Heat1	0	1	"HEAT_CLOSED HEAT_OPEN"
	bit9		Status_DO_2_Heat2	0	1	"HEAT_CLOSED HEAT_OPEN"
	bit10		Status_DO_3_Water_pump	0	1	"W_PUMP_A_OFF W_PUMP_A_ON"
	bit11		HeaterUnderPower			
14082	AirFlowFanManual		% of fan power	0	1000	% of fan power
14083	TempEXT3 - Outlet air		°C (°F)	-40 (-40)	100 (212)	
14084	TempINT1 - Inlet air		°C (°F)	-40 (-40)	100 (212)	
14085	TempWOut - Water return		°C (°F)	-40 (-40)	100 (212)	
14086	SensorFlowAlarm			0	1	
14087	PowerHeater		%	0	100	

Address	Name	Structure	Info	Min. Value	Max. Value	Enum
<b>Tacho Board</b>						
14088	bit0		OFF/ON	0	1	"OFF ON"
	bit1		Cooldown	0	1	"COOLDWN_NON COOLDWN_MODE"
	bit2		WaterHeater_antifreeze_protection	0	1	"AT_FREEZE_OK AT_FREEZE"
	bit3		Heater Overheat			
	bit4		OpenDoor	0	1	"CLOSED_DOOR OPEN_DOOR"
	bit5		DoorAfterRunning	0	1	"AFTERRUNING_NON AFTERRUNING_MODE"
	bit6		SensorFlowAlaramSt	0	1	"OK ERROR"
	bit7		TempEXT3St	0	1	"OK ERROR"
	bit8		TempINT1St	0	1	"OK ERROR"
	bit9		TempWOutSt	0	1	"OK ERROR"

[BACK TO PAGE 11](#)

Address	Name	Structure	Info	Min. Value	Max. Value	Enum
<b>SLAVE 10 - Unit global status</b>						
14090	bit0		OFF/ON	0	1	"OFF ON"
	bit1		Cooldown	0	1	"COOLDWN_NON COOLDWN_MODE"
	bit2		WaterHeater_antifreeze_protection	0	1	"AT_FREEZE_OK AT_FREEZE"
	bit3		Heater Overheat			
	bit4		OpenDoor	0	1	"CLOSED_DOOR OPEN_DOOR"
	bit5		DoorAfterRunning	0	1	"AFTERRUNNING_NON AFTERRUNNING_MODE"
	bit6		SensorFlowAlarmSt	0	1	"OK ERROR"
	bit7		TempEXT3St	0	1	"OK ERROR"
	bit8		TempINT1St	0	1	"OK ERROR"
	bit9		TempWOutSt	0	1	"OK ERROR"
	bit10		SwFanError	0	1	
	bit11		SwHeaterError	0	1	
	bit12		SwDXError	0	1	
	bit13		SwDXDefrost	0	1	
	bit14		SwGlobalError	0	1	
bit15		Communication Error	0	1		
<b>IO Status</b>						
14091	bit0		Status_DI_1_SafetyTherm1	0	1	"OK ERROR"
	bit1		Status_DI_2_Ext_Control	0	1	"OK ERROR"
	bit2		Status_DI_3_RoomThermostat	0	1	"OK ERROR"
	bit3		Status_DI_4_Door	0	1	"OK ERROR"
	bit4		Status_DI_TACHO_1	0	1	"OK ERROR"
	bit5		Status_DI_5_ADB_DX_error	0	1	"OK ERROR"
	bit6		Status_DI_6_HeatPumpDefrost	0	1	"OK ERROR"
	bit7		Status_DI_7_HeatPumpError	0	1	"OK ERROR"
	bit8		Status_DO_1_Heat1	0	1	"HEAT_CLOSED HEAT_OPEN"
	bit9		Status_DO_2_Heat2	0	1	"HEAT_CLOSED HEAT_OPEN"
	bit10		Status_DO_3_Water_pump	0	1	"W_PUMP_A_OFF W_PUMP_A_ON"
	bit11		HeaterUnderPower			
14092	AirFlowFanManual		% of fan power	0	1000	% of fan power
14093	TempEXT3 - Outlet air		°C (°F)	-40 (-40)	100 (212)	
14094	TempINT1 - Inlet air		°C (°F)	-40 (-40)	100 (212)	
14095	TempWOut - Water return		°C (°F)	-40 (-40)	100 (212)	
14096	SensorFlowAlarm			0	1	
14097	PowerHeater		%	0	100	

Address	Name	Structure	Info	Min. Value	Max. Value	Enum
<b>Tacho Board</b>						
14098	bit0		OFF/ON	0	1	"OFF ON"
	bit1		Cooldown	0	1	"COOLDWN_NON COOLDWN_MODE"
	bit2		WaterHeater_antifreeze_protection	0	1	"AT_FREEZE_OK AT_FREEZE"
	bit3		Heater Overheat			
	bit4		OpenDoor	0	1	"CLOSED_DOOR OPEN_DOOR"
	bit5		DoorAfterRunning	0	1	"AFTERRUNING_NON AFTERRUNING_MODE"
	bit6		SensorFlowAlaramSt	0	1	"OK ERROR"
	bit7		TempEXT3St	0	1	"OK ERROR"
	bit8		TempINT1St	0	1	"OK ERROR"
	bit9		TempWOutSt	0	1	"OK ERROR"

[BACK TO PAGE 11](#)

## SHARE - Share register (Factory reset to default)

Address	Name	Structure	Info	Min. Value	Max. Value	Enum	
21000	Language		Language selection	0	10	0	ENGLISH - 0 FRENCH - 1 GERMAN - 2 RUSSIAN - 3 CZECH - 4 SPANISH - 5 PORTUGUESE - 6 ITALIAN - 7 SVENSKA - 8 SUOMI - 9
21001	SwitchON		ON/OFF unit mode	0	1	0	OFF ON"
21002	AirFlowManual		"Range set according locality (FACTORY SET: 10102 and 10110 ...10119) and Ventilation mode (SERVICE_HARD: 25000): MANUAL = % of fan power CAV for EU = m3/h CAV - for USA = cfm DCV, VAV, VAV C4 - not available"	-	-	-	
21003	Temperature		"Range according locality (FACTORY SET: 10102): EU = °C USA = F and Setpoint sensor selection (SERVICE_HARD:25009): Supply duct (15-45°C; 59-113F) Extract duct (15-30°C; 59-86F) Room (15-30°C; 59-86F)"	-	-	-	
21004	TimeSwGlobalEnable		TimeSwitchGlobal enable/disable	0	1	0	"TIMER_GLOBAL_DISABLE TIMER_GLOBAL_ENABLE"
21005	TimeSwMode		Active/Inactive timer mode (only read)	0	1	0	"TIMER_MODE_OFF TIMER_MODE_ON"
21006	TimeSwFlow		only read				
21007	TimeSwTemp		only read				
21008	TimeSwOnOFF			0	1	0	"TIMER_MODE_OFF TIMER_MODE_ON"
21009	BoostMode / DAY-NIGHT mode		Activation of Boost mode / Switching between DAY-NIGHT (SC controls)	0	1	0	"BOOST_OFF BOOST_ON"
21016	FilterClogedTimerReset		"0 - count 1 - timer reset"	0	1	0	"FILTER_TIMER_COUNT FILTER-TIMER_RESET"
21024	ACR_ManualHeat		Heater power for manual mode	0	100	0	
21025	TimeSwHeat			0	100	0	
<b>SlaveSwitchOn</b>							
21026	bit0		Slave1 - off/on	0	1	0	
	bit1		Slave2 - off/on	0	1	0	
	bit2		Slave3 - off/on	0	1	0	
	bit3		Slave4 - off/on	0	1	0	
	bit4		Slave5 - off/on	0	1	0	
	bit5		Slave6 - off/on	0	1	0	
	bit6		Slave7 - off/on	0	1	0	
	bit7		Slave8 - off/on	0	1	0	
	bit8		Slave9 - off/on	0	1	0	
	bit9		Slave10 - off/on	0	1	0	
	bit10		Slave11 - off/on	0	1	0	
	bit11		Slave12 - off/on	0	1	0	
	bit12		Slave13 - off/on	0	1	0	
	bit13		Slave14 - off/on	0	1	0	
	bit14		Slave15 - off/on	0	1	0	
	bit15		Slave16 - off/on	0	1	0	
21027	Temperature Night			5	30	15	

[BACK TO PAGE 11](#)

### TIME - Time register (Factory reset to default)

Address	Name	Structure	Info	Min. Value	Max. Value	Enum
17000	ActualYear			2000	2100	
17001	ActualMonth			1	12	
17002	ActualDay			1	31	
17003	ActualDayOfWeek			1	7	
17004	ActualHour			0	23	
17005	ActualMin			0	59	
17006	ActualSec			0	59	

### TIME DRIVER - Time driver register (Factory reset to default)

Address	Name	Structure	Info	Min. Value	Max. Value	Enum
17000	SetYear			2000	2100	-
17001	SetMonth			1	12	-
17002	SetDay			1	31	-
17003	SetDayOfWeek			1	7	-
17004	SetHour			0	23	-
17005	SetMin			0	59	-
17006	SetSec			0	59	-
17007	SetFlag			0	1	0
17008	ErrorLogNum			1	20	1
17009	ErrorLogClearFlag			0	1	0

[BACK TO PAGE 11](#)

## TIME SWITCH WEEK - Time switch register (Factory reset to default)

Address	Name	Structure	Info	Min. Value	Max. Value	Enum
27000	TimeSw_Monday_1_OnHourMin			0:00	23:59	24:00
27001	TimeSw_Monday_1_OffHourMin			0:00	23:59	24:00
27002	TimeSw_Monday_1_AirFlow		"Range set according locality (FACTORY SET: 10102 and 10110 ...10119) and Ventilation mode (SERVICE_HARD: 25000): MANUAL = % of fan power CAV for EU = m3/h CAV - for USA = cfm DCV, VAV, VAV C4 - not available"	-	-	
27003	TimeSw_Monday_1_Temp		"Range according locality (FACTORY SET: 10102): EU = °C USA = F and Setpoint sensor selection (SERVICE:20001): Supply duct (15-45°C; 59-113F) Extract duct (15-30°C; 59-95F) Room (15-30°C; 59-86F)"	-	-	
27004	TimerSw_Monday_1_Mode		"0 - Manual 1 - Auto 2 - Pseudo OFF"	0	2	0
27005	TimerSw_Monday_1_Heat		Only for AC	0	100	0
27006	TimeSw_Monday_2_OnHourMin			0:00	23:59	24:00
27007	TimeSw_Monday_2_OffHourMin			0:00	23:59	24:00
27008	TimeSw_Monday_2_AirFlow		"Range set according locality (FACTORY SET: 10102 and 10110 ...10119) and Ventilation mode (SERVICE_HARD: 25000): MANUAL = % of fan power CAV for EU = m3/h CAV - for USA = cfm DCV, VAV, VAV C4 - not available"	-	-	
27009	TimeSw_Monday_2_Temp		"Range according locality (FACTORY SET: 10102): EU = °C USA = F and Setpoint sensor selection (SERVICE:20001): Supply duct (15-45°C; 59-113F) Extract duct (15-30°C; 59-95F) Room (15-30°C; 59-86F)"	-	-	
27010	TimerSw_Monday_2_Mode		"0 - Manual 1 - Auto 2 - Pseudo OFF"	0	2	0
27011	TimerSw_Monday_2_Heat		Only for AC	0	100	0
27012	TimeSw_Monday_3_OnHourMin			0:00	23:59	24:00
27013	TimeSw_Monday_3_OffHourMin			0:00	23:59	24:00
27014	TimeSw_Monday_3_AirFlow		"Range set according locality (FACTORY SET: 10102 and 10110 ...10119) and Ventilation mode (SERVICE_HARD: 25000): MANUAL = % of fan power CAV for EU = m3/h CAV - for USA = cfm DCV, VAV, VAV C4 - not available"	-	-	
27015	TimeSw_Monday_3_Temp		"Range according locality (FACTORY SET: 10102): EU = °C USA = F and Setpoint sensor selection (SERVICE:20001): Supply duct (15-45°C; 59-113F) Extract duct (15-30°C; 59-95F) Room (15-30°C; 59-86F)"	-	-	
27016	TimerSw_Monday_3_Mode		"0 - Manual 1 - Auto 2 - Pseudo OFF"	0	2	0
27017	TimerSw_Monday_3_Heat		Only for AC	0	100	0
27018	TimeSw_Monday_4_OnHourMin			0:00	23:59	24:00
27019	TimeSw_Monday_4_OffHourMin			0:00	23:59	24:00
27020	TimeSw_Monday_4_AirFlow		"Range set according locality (FACTORY SET: 10102 and 10110 ...10119) and Ventilation mode (SERVICE_HARD: 25000): MANUAL = % of fan power CAV for EU = m3/h CAV - for USA = cfm DCV, VAV, VAV C4 - not available"	-	-	



Address	Name	Structure	Info	Min. Value	Max. Value	Enum
27021	TimeSw_Monday_4_Temp		"Range according locality (FACTORY SET: 10102): EU = °C USA = F and Setpoint sensor selection (SERVICE:20001): Supply duct (15-45°C; 59-113F) Extract duct (15-30°C; 59-95F) Room (15-30°C; 59-86F)"	-	-	
27022	TimerSw_Monday_4_Mode		"0 - Manual 1 - Auto 2 - Pseudo OFF"	0	2	0
27023	TimerSw_Monday_4_Heat		Only for AC	0	100	0
27024	TimeSw_Monday_5_OnHourMin			0:00	23:59	24:00
27025	TimeSw_Monday_5_OffHourMin			0:00	23:59	24:00
27026	TimeSw_Monday_5_AirFlow		"Range set according locality (FACTORY SET: 10102 and 10110 ...10119) and Ventilation mode (SERVICE_HARD: 25000): MANUAL = % of fan power CAV for EU = m3/h CAV - for USA = cfm DCV, VAV, VAV C4 - not available"	-	-	
27027	TimeSw_Monday_5_Temp		"Range according locality (FACTORY SET: 10102): EU = °C USA = F and Setpoint sensor selection (SERVICE:20001): Supply duct (15-45°C; 59-113F) Extract duct (15-30°C; 59-95F) Room (15-30°C; 59-86F)"	-	-	
27028	TimerSw_Monday_5_Mode		"0 - Manual 1 - Auto 2 - Pseudo OFF"	0	2	0
27029	TimerSw_Monday_5_Heat		Only for AC	0	100	0
27030	TimeSw_Monday_6_OnHourMin			0:00	23:59	24:00
27031	TimeSw_Monday_6_OffHourMin			0:00	23:59	24:00
27032	TimeSw_Monday_6_AirFlow		"Range set according locality (FACTORY SET: 10102 and 10110 ...10119) and Ventilation mode (SERVICE_HARD: 25000): MANUAL = % of fan power CAV for EU = m3/h CAV - for USA = cfm DCV, VAV, VAV C4 - not available"	-	-	
27033	TimeSw_Monday_6_Temp		"Range according locality (FACTORY SET: 10102): EU = °C USA = F and Setpoint sensor selection (SERVICE:20001): Supply duct (15-45°C; 59-113F) Extract duct (15-30°C; 59-95F) Room (15-30°C; 59-86F)"	-	-	
27034	TimerSw_Monday_6_Mode		"0 - Manual 1 - Auto 2 - Pseudo OFF"	0	2	0
27035	TimerSw_Monday_6_Heat		Only for AC	0	100	0
27036	TimeSw_Monday_7_OnHourMin			0:00	23:59	24:00
27037	TimeSw_Monday_7_OffHourMin			0:00	23:59	<b>24:00</b>
27038	TimeSw_Monday_7_AirFlow		"Range set according locality (FACTORY SET: 10102 and 10110 ...10119) and Ventilation mode (SERVICE_HARD: 25000): MANUAL = % of fan power CAV for EU = m3/h CAV - for USA = cfm DCV, VAV, VAV C4 - not available"	-	-	
27039	TimeSw_Monday_7_Temp		"Range according locality (FACTORY SET: 10102): EU = °C USA = F and Setpoint sensor selection (SERVICE:20001): Supply duct (15-45°C; 59-113F) Extract duct (15-30°C; 59-95F) Room (15-30°C; 59-86F)"	-	-	
27040	TimerSw_Monday_7_Mode		"0 - Manual 1 - Auto 2 - Pseudo OFF"	0	2	0

Address	Name	Structure	Info	Min. Value	Max. Value	Enum
27041	TimerSw_Monday_7_Heat		Only for AC	0	100	0
27042	TimeSw_Monday_8_OnHourMin			0:00	23:59	24:00
27043	TimeSw_Monday_8_OffHourMin			0:00	23:59	24:00
27044	TimeSw_Monday_8_AirFlow		"Range set according locality (FACTORY SET: 10102 and 10110 ...10119) and Ventilation mode (SERVICE_HARD: 25000): MANUAL = % of fan power CAV for EU = m3/h CAV - for USA = cfm DCV, VAV, VAV C4 - not available"	-	-	
27045	TimeSw_Monday_8_Temp		"Range according locality (FACTORY SET: 10102): EU = °C USA = F and Setpoint sensor selection (SERVICE:20001): Supply duct (15-45°C; 59-113F) Extract duct (15-30°C; 59-95F) Room (15-30°C; 59-86F)"	-	-	
27046	TimerSw_Monday_8_Mode		"0 - Manual 1 - Auto 2 - Pseudo OFF"	0	2	0
27047	TimerSw_Monday_8_Heat		Only for AC	0	100	0
27048	TimeSw_Tuesday_1_OnHourMin			0:00	23:59	24:00
27049	TimeSw_Tuesday_1_OffHourMin			0:00	23:59	24:00
27050	TimeSw_Tuesday_1_AirFlow		"Range set according locality (FACTORY SET: 10102 and 10110 ...10119) and Ventilation mode (SERVICE_HARD: 25000): MANUAL = % of fan power CAV for EU = m3/h CAV - for USA = cfm DCV, VAV, VAV C4 - not available"	-	-	
27051	TimeSw_Tuesday_1_Temp		"Range according locality (FACTORY SET: 10102): EU = °C USA = F and Setpoint sensor selection (SERVICE:20001): Supply duct (15-45°C; 59-113F) Extract duct (15-30°C; 59-95F) Room (15-30°C; 59-86F)"	-	-	
27052	TimerSw_Tuesday_1_Mode		"0 - Manual 1 - Auto 2 - Pseudo OFF"	0	2	0
27053	TimerSw_Tuesday_1_Heat		Only for AC	0	100	0
27054	TimeSw_Tuesday_2_OnHourMin			0:00	23:59	24:00
27055	TimeSw_Tuesday_2_OffHourMin			0:00	23:59	24:00
27056	TimeSw_Tuesday_2_AirFlow		"Range set according locality (FACTORY SET: 10102 and 10110 ...10119) and Ventilation mode (SERVICE_HARD: 25000): MANUAL = % of fan power CAV for EU = m3/h CAV - for USA = cfm DCV, VAV, VAV C4 - not available"	-	-	
27057	TimeSw_Tuesday_2_Temp		"Range according locality (FACTORY SET: 10102): EU = °C USA = F and Setpoint sensor selection (SERVICE:20001): Supply duct (15-45°C; 59-113F) Extract duct (15-30°C; 59-95F) Room (15-30°C; 59-86F)"	-	-	
27058	TimerSw_Tuesday_2_Mode		"0 - Manual 1 - Auto 2 - Pseudo OFF"	0	2	0
27059	TimerSw_Tuesday_2_Heat		Only for AC	0	100	0
27060	TimeSw_Tuesday_3_OnHourMin			0:00	23:59	24:00
27061	TimeSw_Tuesday_3_OffHourMin			0:00	23:59	24:00
27062	TimeSw_Tuesday_3_AirFlow		"Range set according locality (FACTORY SET: 10102 and 10110 ...10119) and Ventilation mode (SERVICE_HARD: 25000): MANUAL = % of fan power CAV for EU = m3/h CAV - for USA = cfm DCV, VAV, VAV C4 - not available"	-	-	

Address	Name	Structure	Info	Min. Value	Max. Value	Enum
27063	TimeSw_Tuesday_3_Temp		"Range according locality (FACTORY SET: 10102): EU = °C USA = F and Setpoint sensor selection (SERVICE:20001): Supply duct (15-45°C; 59-113F) Extract duct (15-30°C; 59-95F) Room (15-30°C; 59-86F)"	-	-	
27064	TimerSw_Tuesday_3_Mode		"0 - Manual 1 - Auto 2 - Pseudo OFF"	0	2	0
27065	TimerSw_Tuesday_3_Heat		Only for AC	0	100	0
27066	TimeSw_Tuesday_4_OnHourMin			0:00	23:59	24:00
27067	TimeSw_Tuesday_4_OffHourMin			0:00	23:59	24:00
27068	TimeSw_Tuesday_4_AirFlow		"Range set according locality (FACTORY SET: 10102 and 10110 ...10119) and Ventilation mode (SERVICE_HARD: 25000): MANUAL = % of fan power CAV for EU = m3/h CAV - for USA = cfm DCV, VAV, VAV C4 - not available"	-	-	
27069	TimeSw_Tuesday_4_Temp		"Range according locality (FACTORY SET: 10102): EU = °C USA = F and Setpoint sensor selection (SERVICE:20001): Supply duct (15-45°C; 59-113F) Extract duct (15-30°C; 59-95F) Room (15-30°C; 59-86F)"	-	-	
27070	TimerSw_Tuesday_4_Mode		"0 - Manual 1 - Auto 2 - Pseudo OFF"	0	2	0
27071	TimerSw_Tuesday_4_Heat		Only for AC	0	100	0
27072	TimeSw_Tuesday_5_OnHourMin			0:00	23:59	24:00
27073	TimeSw_Tuesday_5_OffHourMin			0:00	23:59	24:00
27074	TimeSw_Tuesday_5_AirFlow		"Range set according locality (FACTORY SET: 10102 and 10110 ...10119) and Ventilation mode (SERVICE_HARD: 25000): MANUAL = % of fan power CAV for EU = m3/h CAV - for USA = cfm DCV, VAV, VAV C4 - not available"	-	-	
27075	TimeSw_Tuesday_5_Temp		"Range according locality (FACTORY SET: 10102): EU = °C USA = F and Setpoint sensor selection (SERVICE:20001): Supply duct (15-45°C; 59-113F) Extract duct (15-30°C; 59-95F) Room (15-30°C; 59-86F)"	-	-	
27076	TimerSw_Tuesday_5_Mode		"0 - Manual 1 - Auto 2 - Pseudo OFF"	0	2	0
27077	TimerSw_Tuesday_5_Heat		Only for AC	0	100	0
27078	TimeSw_Tuesday_6_OnHourMin			0:00	23:59	24:00
27079	TimeSw_Tuesday_6_OffHourMin			0:00	23:59	<b>24:00</b>
27080	TimeSw_Tuesday_6_AirFlow		"Range set according locality (FACTORY SET: 10102 and 10110 ...10119) and Ventilation mode (SERVICE_HARD: 25000): MANUAL = % of fan power CAV for EU = m3/h CAV - for USA = cfm DCV, VAV, VAV C4 - not available"	-	-	
27081	TimeSw_Tuesday_6_Temp		"Range according locality (FACTORY SET: 10102): EU = °C USA = F and Setpoint sensor selection (SERVICE:20001): Supply duct (15-45°C; 59-113F) Extract duct (15-30°C; 59-95F) Room (15-30°C; 59-86F)"	-	-	
27082	TimerSw_Tuesday_6_Mode		"0 - Manual 1 - Auto 2 - Pseudo OFF"	0	2	0
27083	TimerSw_Tuesday_6_Heat		Only for AC	0	100	0
27084	TimeSw_Tuesday_7_OnHourMin			0:00	23:59	24:00
27085	TimeSw_Tuesday_7_OffHourMin			0:00	23:59	24:00

Address	Name	Structure	Info	Min. Value	Max. Value	Enum
27086	TimeSw_Tuesday_7_AirFlow		"Range set according locality (FACTORY SET: 10102 and 10110 ...10119) and Ventilation mode (SERVICE_HARD: 25000): MANUAL = % of fan power CAV for EU = m3/h CAV - for USA = cfm DCV, VAV, VAV C4 - not available"	-	-	
27087	TimeSw_Tuesday_7_Temp		"Range according locality (FACTORY SET: 10102): EU = °C USA = F and Setpoint sensor selection (SERVICE:20001): Supply duct (15-45°C; 59-113F) Extract duct (15-30°C; 59-95F) Room (15-30°C; 59-86F)"	-	-	
27088	TimerSw_Tuesday_7_Mode		"0 - Manual 1 - Auto 2 - Pseudo OFF"	0	2	0
27089	TimerSw_Tuesday_7_Heat		Only for AC	0	100	0
27090	TimeSw_Tuesday_8_OnHourMin			0:00	23:59	24:00
27091	TimeSw_Tuesday_8_OffHourMin			0:00	23:59	24:00
27092	TimeSw_Tuesday_8_AirFlow		"Range set according locality (FACTORY SET: 10102 and 10110 ...10119) and Ventilation mode (SERVICE_HARD: 25000): MANUAL = % of fan power CAV for EU = m3/h CAV - for USA = cfm DCV, VAV, VAV C4 - not available"	-	-	
27093	TimeSw_Tuesday_8_Temp		"Range according locality (FACTORY SET: 10102): EU = °C USA = F and Setpoint sensor selection (SERVICE:20001): Supply duct (15-45°C; 59-113F) Extract duct (15-30°C; 59-95F) Room (15-30°C; 59-86F)"	-	-	
27094	TimerSw_Tuesday_8_Mode		"0 - Manual 1 - Auto 2 - Pseudo OFF"	0	2	0
27095	TimerSw_Tuesday_8_Heat		Only for AC	0	100	0
27096	TimeSw_Wensday_1_OnHourMin			0:00	23:59	24:00
27097	TimeSw_Wensday_1_OffHourMin			0:00	23:59	24:00
27098	TimeSw_Wensday_1_AirFlow		"Range set according locality (FACTORY SET: 10102 and 10110 ...10119) and Ventilation mode (SERVICE_HARD: 25000): MANUAL = % of fan power CAV for EU = m3/h CAV - for USA = cfm DCV, VAV, VAV C4 - not available"	-	-	
27099	TimeSw_Wensday_1_Temp		"Range according locality (FACTORY SET: 10102): EU = °C USA = F and Setpoint sensor selection (SERVICE:20001): Supply duct (15-45°C; 59-113F) Extract duct (15-30°C; 59-95F) Room (15-30°C; 59-86F)"	-	-	
27100	TimerSw_Wensday_1_Mode		"0 - Manual 1 - Auto 2 - Pseudo OFF"	0	2	0
27101	TimerSw_Wensday_1_Heat		Only for AC	0	100	0
27102	TimeSw_Wensday_2_OnHourMin			0:00	23:59	<b>24:00</b>
27103	TimeSw_Wensday_2_OffHourMin			0:00	23:59	24:00
27104	TimeSw_Wensday_2_AirFlow		"Range set according locality (FACTORY SET: 10102 and 10110 ...10119) and Ventilation mode (SERVICE_HARD: 25000): MANUAL = % of fan power CAV for EU = m3/h CAV - for USA = cfm DCV, VAV, VAV C4 - not available"	-	-	
27105	TimeSw_Wensday_2_Temp		"Range according locality (FACTORY SET: 10102): EU = °C USA = F and Setpoint sensor selection (SERVICE:20001): Supply duct (15-45°C; 59-113F) Extract duct (15-30°C; 59-95F) Room (15-30°C; 59-86F)"	-	-	
27106	TimerSw_Wensday_2_Mode		"0 - Manual 1 - Auto 2 - Pseudo OFF"	0	2	0

Address	Name	Structure	Info	Min. Value	Max. Value	Enum
27107	TimerSw_Wensday_2_Heat		Only for AC	0	100	0
27108	TimeSw_Wensday_3_OnHourMin			0:00	23:59	24:00
27109	TimeSw_Wensday_3_OffHourMin			0:00	23:59	24:00
27110	TimeSw_Wensday_3_AirFlow		"Range set according locality (FACTORY SET: 10102 and 10110 ...10119) and Ventilation mode (SERVICE_HARD: 25000): MANUAL = % of fan power CAV for EU = m3/h CAV - for USA = cfm DCV, VAV, VAV C4 - not available"	-	-	
27111	TimeSw_Wensday_3_Temp		"Range according locality (FACTORY SET: 10102): EU = °C USA = F and Setpoint sensor selection (SERVICE:20001): Supply duct (15-45°C; 59-113F) Extract duct (15-30°C; 59-95F) Room (15-30°C; 59-86F)"	-	-	
27112	TimerSw_Wensday_3_Mode		"0 - Manual 1 - Auto 2 - Pseudo OFF"	0	2	0
27113	TimerSw_Wensday_3_Heat		Only for AC	0	100	0
27114	TimeSw_Wensday_4_OnHourMin			0:00	23:59	24:00
27115	TimeSw_Wensday_4_OffHourMin			0:00	23:59	24:00
27116	TimeSw_Wensday_4_AirFlow		"Range set according locality (FACTORY SET: 10102 and 10110 ...10119) and Ventilation mode (SERVICE_HARD: 25000): MANUAL = % of fan power CAV for EU = m3/h CAV - for USA = cfm DCV, VAV, VAV C4 - not available"	-	-	
27117	TimeSw_Wensday_4_Temp		"Range according locality (FACTORY SET: 10102): EU = °C USA = F and Setpoint sensor selection (SERVICE:20001): Supply duct (15-45°C; 59-113F) Extract duct (15-30°C; 59-95F) Room (15-30°C; 59-86F)"	-	-	
27118	TimerSw_Wensday_4_Mode		"0 - Manual 1 - Auto 2 - Pseudo OFF"	0	2	0
27119	TimerSw_Wensday_4_Heat		Only for AC	0	100	0
27120	TimeSw_Wensday_5_OnHourMin			0:00	23:59	24:00
27121	TimeSw_Wensday_5_OffHourMin			0:00	23:59	24:00
27122	TimeSw_Wensday_5_AirFlow		"Range set according locality (FACTORY SET: 10102 and 10110 ...10119) and Ventilation mode (SERVICE_HARD: 25000): MANUAL = % of fan power CAV for EU = m3/h CAV - for USA = cfm DCV, VAV, VAV C4 - not available"	-	-	
27123	TimeSw_Wensday_5_Temp		"Range according locality (FACTORY SET: 10102): EU = °C USA = F and Setpoint sensor selection (SERVICE:20001): Supply duct (15-45°C; 59-113F) Extract duct (15-30°C; 59-95F) Room (15-30°C; 59-86F)"	-	-	
27124	TimerSw_Wensday_5_Mode		"0 - Manual 1 - Auto 2 - Pseudo OFF"	0	2	0
27125	TimerSw_Wensday_5_Heat		Only for AC	0	100	0
27126	TimeSw_Wensday_6_OnHourMin			0:00	23:59	24:00
27127	TimeSw_Wensday_6_OffHourMin			0:00	23:59	24:00
27128	TimeSw_Wensday_6_AirFlow		"Range set according locality (FACTORY SET: 10102 and 10110 ...10119) and Ventilation mode (SERVICE_HARD: 25000): MANUAL = % of fan power CAV for EU = m3/h CAV - for USA = cfm DCV, VAV, VAV C4 - not available"	-	-	
27129	TimeSw_Wensday_6_Temp		"Range according locality (FACTORY SET: 10102): EU = °C USA = F and Setpoint sensor selection (SERVICE:20001): Supply duct (15-45°C; 59-113F) Extract duct (15-30°C; 59-95F) Room (15-30°C; 59-86F)"	-	-	

Address	Name	Structure	Info	Min. Value	Max. Value	Enum
27130	TimerSw_Wensday_6_Mode		"0 - Manual 1 - Auto 2 - Pseudo OFF"	0	2	0
27131	TimerSw_Wensday_6_Heat		Only for AC	0	100	0
27132	TimeSw_Wensday_7_OnHourMin			0:00	23:59	24:00
27133	TimeSw_Wensday_7_OffHourMin			0:00	23:59	24:00
27134	TimeSw_Wensday_7_AirFlow		"Range set according locality (FACTORY SET: 10102 and 10110 ...10119) and Ventilation mode (SERVICE_HARD: 25000): MANUAL = % of fan power CAV for EU = m3/h CAV - for USA = cfm DCV, VAV, VAV C4 - not available"	-	-	
27135	TimeSw_Wensday_7_Temp		"Range according locality (FACTORY SET: 10102): EU = °C USA = F and Setpoint sensor selection (SERVICE:20001): Supply duct (15-45°C; 59-113F) Extract duct (15-30°C; 59-95F) Room (15-30°C; 59-86F)"	-	-	
27136	TimerSw_Wensday_7_Mode		"0 - Manual 1 - Auto 2 - Pseudo OFF"	0	2	0
27137	TimerSw_Wensday_7_Heat		Only for AC	0	100	0
27138	TimeSw_Wensday_8_OnHourMin			0:00	23:59	24:00
27139	TimeSw_Wensday_8_OffHourMin			0:00	23:59	24:00
27140	TimeSw_Wensday_8_AirFlow		"Range set according locality (FACTORY SET: 10102 and 10110 ...10119) and Ventilation mode (SERVICE_HARD: 25000): MANUAL = % of fan power CAV for EU = m3/h CAV - for USA = cfm DCV, VAV, VAV C4 - not available"	-	-	
27141	TimeSw_Wensday_8_Temp		"Range according locality (FACTORY SET: 10102): EU = °C USA = F and Setpoint sensor selection (SERVICE:20001): Supply duct (15-45°C; 59-113F) Extract duct (15-30°C; 59-95F) Room (15-30°C; 59-86F)"	-	-	
27142	TimerSw_Wensday_8_Mode		"0 - Manual 1 - Auto 2 - Pseudo OFF"	0	2	0
27143	TimerSw_Wensday_8_Heat		Only for AC	0	100	0
27144	TimeSw_Thursday_1_OnHourMin			0:00	23:59	24:00
27145	TimeSw_Thursday_1_OffHourMin			0:00	23:59	24:00
27146	TimeSw_Thursday_1_AirFlow		"Range set according locality (FACTORY SET: 10102 and 10110 ...10119) and Ventilation mode (SERVICE_HARD: 25000): MANUAL = % of fan power CAV for EU = m3/h CAV - for USA = cfm DCV, VAV, VAV C4 - not available"	-	-	
27147	TimeSw_Thursday_1_Temp		"Range according locality (FACTORY SET: 10102): EU = °C USA = F and Setpoint sensor selection (SERVICE:20001): Supply duct (15-45°C; 59-113F) Extract duct (15-30°C; 59-95F) Room (15-30°C; 59-86F)"	-	-	
27148	TimerSw_Thursday_1_Mode		"0 - Manual 1 - Auto 2 - Pseudo OFF"	0	2	0
27149	TimerSw_Thursday_1_Heat		Only for AC	0	100	0
27150	TimeSw_Thursday_2_OnHourMin			0:00	23:59	24:00
27151	TimeSw_Thursday_2_OffHourMin			0:00	23:59	24:00
27152	TimeSw_Thursday_2_AirFlow		"Range set according locality (FACTORY SET: 10102 and 10110 ...10119) and Ventilation mode (SERVICE_HARD: 25000): MANUAL = % of fan power CAV for EU = m3/h CAV - for USA = cfm DCV, VAV, VAV C4 - not available"	-	-	

Address	Name	Structure	Info	Min. Value	Max. Value	Enum
27153	TimeSw_Thursday_2_Temp		"Range according locality (FACTORY SET: 10102): EU = °C USA = F and Setpoint sensor selection (SERVICE:20001): Supply duct (15-45°C; 59-113F) Extract duct (15-30°C; 59-95F) Room (15-30°C; 59-86F)"	-	-	
27154	TimerSw_Thursday_2_Mode		"0 - Manual 1 - Auto 2 - Pseudo OFF"	0	2	0
27155	TimerSw_Thursday_2_Heat		Only for AC	0	100	0
27156	TimeSw_Thursday_3_OnHourMin			0:00	23:59	24:00
27157	TimeSw_Thursday_3_OffHourMin			0:00	23:59	24:00
27158	TimeSw_Thursday_3_AirFlow		"Range set according locality (FACTORY SET: 10102 and 10110 ...10119) and Ventilation mode (SERVICE_HARD: 25000): MANUAL = % of fan power CAV for EU = m3/h CAV - for USA = cfm DCV, VAV, VAV C4 - not available"	-	-	
27159	TimeSw_Thursday_3_Temp		"Range according locality (FACTORY SET: 10102): EU = °C USA = F and Setpoint sensor selection (SERVICE:20001): Supply duct (15-45°C; 59-113F) Extract duct (15-30°C; 59-95F) Room (15-30°C; 59-86F)"	-	-	
27160	TimerSw_Thursday_3_Mode		"0 - Manual 1 - Auto 2 - Pseudo OFF"	0	2	0
27161	TimerSw_Thursday_3_Heat		Only for AC	0	100	0
27162	TimeSw_Thursday_4_OnHourMin			0:00	23:59	24:00
27163	TimeSw_Thursday_4_OffHourMin			0:00	23:59	24:00
27164	TimeSw_Thursday_4_AirFlow		"Range set according locality (FACTORY SET: 10102 and 10110 ...10119) and Ventilation mode (SERVICE_HARD: 25000): MANUAL = % of fan power CAV for EU = m3/h CAV - for USA = cfm DCV, VAV, VAV C4 - not available"	-	-	
27165	TimeSw_Thursday_4_Temp		"Range according locality (FACTORY SET: 10102): EU = °C USA = F and Setpoint sensor selection (SERVICE:20001): Supply duct (15-45°C; 59-113F) Extract duct (15-30°C; 59-95F) Room (15-30°C; 59-86F)"	-	-	
27166	TimerSw_Thursday_4_Mode		"0 - Manual 1 - Auto 2 - Pseudo OFF"	0	2	0
27167	TimerSw_Thursday_4_Heat		Only for AC	0	100	0
27168	TimeSw_Thursday_5_OnHourMin			0:00	23:59	24:00
27169	TimeSw_Thursday_5_OffHourMin			0:00	23:59	<b>24:00</b>
27170	TimeSw_Thursday_5_AirFlow		"Range set according locality (FACTORY SET: 10102 and 10110 ...10119) and Ventilation mode (SERVICE_HARD: 25000): MANUAL = % of fan power CAV for EU = m3/h CAV - for USA = cfm DCV, VAV, VAV C4 - not available"	-	-	
27171	TimeSw_Thursday_5_Temp		"Range according locality (FACTORY SET: 10102): EU = °C USA = F and Setpoint sensor selection (SERVICE:20001): Supply duct (15-45°C; 59-113F) Extract duct (15-30°C; 59-95F) Room (15-30°C; 59-86F)"	-	-	
27172	TimerSw_Thursday_5_Mode		"0 - Manual 1 - Auto 2 - Pseudo OFF"	0	2	0
27173	TimerSw_Thursday_5_Heat		Only for AC	0	100	0
27174	TimeSw_Thursday_6_OnHourMin			0:00	23:59	24:00
27175	TimeSw_Thursday_6_OffHourMin			0:00	23:59	24:00

Address	Name	Structure	Info	Min. Value	Max. Value	Enum
27176	TimeSw_Thursday_6_AirFlow		"Range set according locality (FACTORY SET: 10102 and 10110 ...10119) and Ventilation mode (SERVICE_HARD: 25000): MANUAL = % of fan power CAV for EU = m3/h CAV - for USA = cfm DCV, VAV, VAV C4 - not available"	-	-	
27177	TimeSw_Thursday_6_Temp		"Range according locality (FACTORY SET: 10102): EU = °C USA = F and Setpoint sensor selection (SERVICE:20001): Supply duct (15-45°C; 59-113F) Extract duct (15-30°C; 59-95F) Room (15-30°C; 59-86F)"	-	-	
27178	TimerSw_Thursday_6_Mode		"0 - Manual 1 - Auto 2 - Pseudo OFF"	0	2	0
27179	TimerSw_Thursday_6_Heat		Only for AC	0	100	0
27180	TimeSw_Thursday_7_OnHourMin			0:00	23:59	24:00
27181	TimeSw_Thursday_7_OffHourMin			0:00	23:59	24:00
27182	TimeSw_Thursday_7_AirFlow		"Range set according locality (FACTORY SET: 10102 and 10110 ...10119) and Ventilation mode (SERVICE_HARD: 25000): MANUAL = % of fan power CAV for EU = m3/h CAV - for USA = cfm DCV, VAV, VAV C4 - not available"	-	-	
27183	TimeSw_Thursday_7_Temp		"Range according locality (FACTORY SET: 10102): EU = °C USA = F and Setpoint sensor selection (SERVICE:20001): Supply duct (15-45°C; 59-113F) Extract duct (15-30°C; 59-95F) Room (15-30°C; 59-86F)"	-	-	
27184	TimerSw_Thursday_7_Mode		"0 - Manual 1 - Auto 2 - Pseudo OFF"	0	2	0
27185	TimerSw_Thursday_7_Heat		Only for AC	0	100	0
27186	TimeSw_Thursday_8_OnHourMin			0:00	23:59	24:00
27187	TimeSw_Thursday_8_OffHourMin			0:00	23:59	24:00
27188	TimeSw_Thursday_8_AirFlow		"Range set according locality (FACTORY SET: 10102 and 10110 ...10119) and Ventilation mode (SERVICE_HARD: 25000): MANUAL = % of fan power CAV for EU = m3/h CAV - for USA = cfm DCV, VAV, VAV C4 - not available"	-	-	
27189	TimeSw_Thursday_8_Temp		"Range according locality (FACTORY SET: 10102): EU = °C USA = F and Setpoint sensor selection (SERVICE:20001): Supply duct (15-45°C; 59-113F) Extract duct (15-30°C; 59-95F) Room (15-30°C; 59-86F)"	-	-	
27190	TimerSw_Thursday_8_Mode		"0 - Manual 1 - Auto 2 - Pseudo OFF"	0	2	0
27191	TimerSw_Thursday_8_Heat		Only for AC	0	100	0
27192	TimeSw_Friday_1_OnHourMin			0:00	23:59	<b>24:00</b>
27193	TimeSw_Friday_1_OffHourMin			0:00	23:59	24:00
27194	TimeSw_Friday_1_AirFlow		"Range set according locality (FACTORY SET: 10102 and 10110 ...10119) and Ventilation mode (SERVICE_HARD: 25000): MANUAL = % of fan power CAV for EU = m3/h CAV - for USA = cfm DCV, VAV, VAV C4 - not available"	-	-	
27195	TimeSw_Friday_1_Temp		"Range according locality (FACTORY SET: 10102): EU = °C USA = F and Setpoint sensor selection (SERVICE:20001): Supply duct (15-45°C; 59-113F) Extract duct (15-30°C; 59-95F) Room (15-30°C; 59-86F)"	-	-	
27196	TimerSw_Friday_1_Mode		"0 - Manual 1 - Auto 2 - Pseudo OFF"	0	2	0
27197	TimerSw_Friday_1_Heat		Only for AC	0	100	0



Address	Name	Structure	Info	Min. Value	Max. Value	Enum
27198	TimeSw_Friday_2_OnHourMin			0:00	23:59	24:00
27199	TimeSw_Friday_2_OffHourMin			0:00	23:59	24:00
27200	TimeSw_Friday_2_AirFlow		"Range set according locality (FACTORY SET: 10102 and 10110 ...10119) and Ventilation mode (SERVICE_HARD: 25000): MANUAL = % of fan power CAV for EU = m3/h CAV - for USA = cfm DCV, VAV, VAV C4 - not available"	-	-	
27201	TimeSw_Friday_2_Temp		"Range according locality (FACTORY SET: 10102): EU = °C USA = F and Setpoint sensor selection (SERVICE:20001): Supply duct (15-45°C; 59-113F) Extract duct (15-30°C; 59-95F) Room (15-30°C; 59-86F)"	-	-	
27202	TimerSw_Friday_2_Mode		"0 - Manual 1 - Auto 2 - Pseudo OFF"	0	2	0
27203	TimerSw_Friday_2_Heat		Only for AC	0	100	0
27204	TimeSw_Friday_3_OnHourMin			0:00	23:59	24:00
27205	TimeSw_Friday_3_OffHourMin			0:00	23:59	24:00
27206	TimeSw_Friday_3_AirFlow		"Range set according locality (FACTORY SET: 10102 and 10110 ...10119) and Ventilation mode (SERVICE_HARD: 25000): MANUAL = % of fan power CAV for EU = m3/h CAV - for USA = cfm DCV, VAV, VAV C4 - not available"	-	-	
27207	TimeSw_Friday_3_Temp		"Range according locality (FACTORY SET: 10102): EU = °C USA = F and Setpoint sensor selection (SERVICE:20001): Supply duct (15-45°C; 59-113F) Extract duct (15-30°C; 59-95F) Room (15-30°C; 59-86F)"	-	-	
27208	TimerSw_Friday_3_Mode		"0 - Manual 1 - Auto 2 - Pseudo OFF"	0	2	0
27209	TimerSw_Friday_3_Heat		Only for AC	0	100	0
27210	TimeSw_Friday_4_OnHourMin			0:00	23:59	24:00
27211	TimeSw_Friday_4_OffHourMin			0:00	23:59	24:00
27212	TimeSw_Friday_4_AirFlow		"Range set according locality (FACTORY SET: 10102 and 10110 ...10119) and Ventilation mode (SERVICE_HARD: 25000): MANUAL = % of fan power CAV for EU = m3/h CAV - for USA = cfm DCV, VAV, VAV C4 - not available"	-	-	
27213	TimeSw_Friday_4_Temp		"Range according locality (FACTORY SET: 10102): EU = °C USA = F and Setpoint sensor selection (SERVICE:20001): Supply duct (15-45°C; 59-113F) Extract duct (15-30°C; 59-95F) Room (15-30°C; 59-86F)"	-	-	
27214	TimerSw_Friday_4_Mode		"0 - Manual 1 - Auto 2 - Pseudo OFF"	0	2	0
27215	TimerSw_Friday_4_Heat		Only for AC	0	100	0
27216	TimeSw_Friday_5_OnHourMin			0:00	23:59	24:00
27217	TimeSw_Friday_5_OffHourMin			0:00	23:59	24:00
27218	TimeSw_Friday_5_AirFlow		"Range set according locality (FACTORY SET: 10102 and 10110 ...10119) and Ventilation mode (SERVICE_HARD: 25000): MANUAL = % of fan power CAV for EU = m3/h CAV - for USA = cfm DCV, VAV, VAV C4 - not available"	-	-	
27219	TimeSw_Friday_5_Temp		"Range according locality (FACTORY SET: 10102): EU = °C USA = F and Setpoint sensor selection (SERVICE:20001): Supply duct (15-45°C; 59-113F) Extract duct (15-30°C; 59-95F) Room (15-30°C; 59-86F)"	-	-	

Address	Name	Structure	Info	Min. Value	Max. Value	Enum
27220	TimerSw_Friday_5_Mode		"0 - Manual 1 - Auto 2 - Pseudo OFF"	0	2	0
27221	TimerSw_Friday_5_Heat		Only for AC	0	100	0
27222	TimeSw_Friday_6_OnHourMin			0:00	23:59	24:00
27223	TimeSw_Friday_6_OffHourMin			0:00	23:59	24:00
27224	TimeSw_Friday_6_AirFlow		"Range set according locality (FACTORY SET: 10102 and 10110 ...10119) and Ventilation mode (SERVICE_HARD: 25000): MANUAL = % of fan power CAV for EU = m3/h CAV - for USA = cfm DCV, VAV, VAV C4 - not available"	-	-	
27225	TimeSw_Friday_6_Temp		"Range according locality (FACTORY SET: 10102): EU = °C USA = F and Setpoint sensor selection (SERVICE:20001): Supply duct (15-45°C; 59-113F) Extract duct (15-30°C; 59-95F) Room (15-30°C; 59-86F)"	-	-	
27226	TimerSw_Friday_6_Mode		"0 - Manual 1 - Auto 2 - Pseudo OFF"	0	2	0
27227	TimerSw_Friday_6_Heat		Only for AC	0	100	0
27228	TimeSw_Friday_7_OnHourMin			0:00	23:59	24:00
27229	TimeSw_Friday_7_OffHourMin			0:00	23:59	24:00
27230	TimeSw_Friday_7_AirFlow		"Range set according locality (FACTORY SET: 10102 and 10110 ...10119) and Ventilation mode (SERVICE_HARD: 25000): MANUAL = % of fan power CAV for EU = m3/h CAV - for USA = cfm DCV, VAV, VAV C4 - not available"	-	-	
27231	TimeSw_Friday_7_Temp		"Range according locality (FACTORY SET: 10102): EU = °C USA = F and Setpoint sensor selection (SERVICE:20001): Supply duct (15-45°C; 59-113F) Extract duct (15-30°C; 59-95F) Room (15-30°C; 59-86F)"	-	-	
27232	TimerSw_Friday_7_Mode		"0 - Manual 1 - Auto 2 - Pseudo OFF"	0	2	0
27233	TimerSw_Friday_7_Heat		Only for AC	0	100	0
27234	TimeSw_Friday_8_OnHourMin			0:00	23:59	24:00
27235	TimeSw_Friday_8_OffHourMin			0:00	23:59	24:00
27236	TimeSw_Friday_8_AirFlow		"Range set according locality (FACTORY SET: 10102 and 10110 ...10119) and Ventilation mode (SERVICE_HARD: 25000): MANUAL = % of fan power CAV for EU = m3/h CAV - for USA = cfm DCV, VAV, VAV C4 - not available"	-	-	
27237	TimeSw_Friday_8_Temp		"Range according locality (FACTORY SET: 10102): EU = °C USA = F and Setpoint sensor selection (SERVICE:20001): Supply duct (15-45°C; 59-113F) Extract duct (15-30°C; 59-95F) Room (15-30°C; 59-86F)"	-	-	
27238	TimerSw_Friday_8_Mode		"0 - Manual 1 - Auto 2 - Pseudo OFF"	0	2	0
27239	TimerSw_Friday_8_Heat		Only for AC	0	100	0
27240	TimeSw_Saturday_1_OnHourMin			0:00	23:59	24:00
27241	TimeSw_Saturday_1_OffHourMin			0:00	23:59	24:00
27242	TimeSw_Saturday_1_AirFlow		"Range set according locality (FACTORY SET: 10102 and 10110 ...10119) and Ventilation mode (SERVICE_HARD: 25000): MANUAL = % of fan power CAV for EU = m3/h CAV - for USA = cfm DCV, VAV, VAV C4 - not available"	-	-	

Address	Name	Structure	Info	Min. Value	Max. Value	Enum
27243	TimeSw_Saturday_1_Temp		"Range according locality (FACTORY SET: 10102): EU = °C USA = F and Setpoint sensor selection (SERVICE:20001): Supply duct (15-45°C; 59-113F) Extract duct (15-30°C; 59-95F) Room (15-30°C; 59-86F)"	-	-	
27244	TimerSw_Saturday_1_Mode		"0 - Manual 1 - Auto 2 - Pseudo OFF"	0	2	0
27245	TimerSw_Saturday_1_Heat		Only for AC	0	100	0
27246	TimeSw_Saturday_2_OnHourMin			0:00	23:59	24:00
27247	TimeSw_Saturday_2_OffHourMin			0:00	23:59	24:00
27248	TimeSw_Saturday_2_AirFlow		"Range set according locality (FACTORY SET: 10102 and 10110 ...10119) and Ventilation mode (SERVICE_HARD: 25000): MANUAL = % of fan power CAV for EU = m3/h CAV - for USA = cfm DCV, VAV, VAV C4 - not available"	-	-	
27249	TimeSw_Saturday_2_Temp		"Range according locality (FACTORY SET: 10102): EU = °C USA = F and Setpoint sensor selection (SERVICE:20001): Supply duct (15-45°C; 59-113F) Extract duct (15-30°C; 59-95F) Room (15-30°C; 59-86F)"	-	-	
27250	TimerSw_Saturday_2_Mode		"0 - Manual 1 - Auto 2 - Pseudo OFF"	0	2	0
27251	TimerSw_Saturday_2_Heat		Only for AC	0	100	0
27252	TimeSw_Saturday_3_OnHourMin			0:00	23:59	24:00
27253	TimeSw_Saturday_3_OffHourMin			0:00	23:59	24:00
27254	TimeSw_Saturday_3_AirFlow		"Range set according locality (FACTORY SET: 10102 and 10110 ...10119) and Ventilation mode (SERVICE_HARD: 25000): MANUAL = % of fan power CAV for EU = m3/h CAV - for USA = cfm DCV, VAV, VAV C4 - not available"	-	-	
27255	TimeSw_Saturday_3_Temp		"Range according locality (FACTORY SET: 10102): EU = °C USA = F and Setpoint sensor selection (SERVICE:20001): Supply duct (15-45°C; 59-113F) Extract duct (15-30°C; 59-95F) Room (15-30°C; 59-86F)"	-	-	
27256	TimerSw_Saturday_3_Mode		"0 - Manual 1 - Auto 2 - Pseudo OFF"	0	2	0
27257	TimerSw_Saturday_3_Heat		Only for AC	0	100	0
27258	TimeSw_Saturday_4_OnHourMin			0:00	23:59	24:00
27259	TimeSw_Saturday_4_OffHourMin			0:00	23:59	<b>24:00</b>
27260	TimeSw_Saturday_4_AirFlow		"Range set according locality (FACTORY SET: 10102 and 10110 ...10119) and Ventilation mode (SERVICE_HARD: 25000): MANUAL = % of fan power CAV for EU = m3/h CAV - for USA = cfm DCV, VAV, VAV C4 - not available"	-	-	
27261	TimeSw_Saturday_4_Temp		"Range according locality (FACTORY SET: 10102): EU = °C USA = F and Setpoint sensor selection (SERVICE:20001): Supply duct (15-45°C; 59-113F) Extract duct (15-30°C; 59-95F) Room (15-30°C; 59-86F)"	-	-	
27262	TimerSw_Saturday_4_Mode		"0 - Manual 1 - Auto 2 - Pseudo OFF"	0	2	0
27263	TimerSw_Saturday_4_Heat		Only for AC	0	100	0
27264	TimeSw_Saturday_5_OnHourMin			0:00	23:59	24:00
27265	TimeSw_Saturday_5_OffHourMin			0:00	23:59	24:00

Address	Name	Structure	Info	Min. Value	Max. Value	Enum
27266	TimeSw_Saturday_5_AirFlow		"Range set according locality (FACTORY SET: 10102 and 10110 ...10119) and Ventilation mode (SERVICE_HARD: 25000): MANUAL = % of fan power CAV for EU = m3/h CAV - for USA = cfm DCV, VAV, VAV C4 - not available"	-	-	
27267	TimeSw_Saturday_5_Temp		"Range according locality (FACTORY SET: 10102): EU = °C USA = F and Setpoint sensor selection (SERVICE:20001): Supply duct (15-45°C; 59-113F) Extract duct (15-30°C; 59-95F) Room (15-30°C; 59-86F)"	-	-	
27268	TimerSw_Saturday_5_Mode		"0 - Manual 1 - Auto 2 - Pseudo OFF"	0	2	0
27269	TimerSw_Saturday_5_Heat		Only for AC	0	100	0
27270	TimeSw_Saturday_6_OnHourMin			0:00	23:59	24:00
27271	TimeSw_Saturday_6_OffHourMin			0:00	23:59	24:00
27272	TimeSw_Saturday_6_AirFlow		"Range set according locality (FACTORY SET: 10102 and 10110 ...10119) and Ventilation mode (SERVICE_HARD: 25000): MANUAL = % of fan power CAV for EU = m3/h CAV - for USA = cfm DCV, VAV, VAV C4 - not available"	-	-	
27273	TimeSw_Saturday_6_Temp		"Range according locality (FACTORY SET: 10102): EU = °C USA = F and Setpoint sensor selection (SERVICE:20001): Supply duct (15-45°C; 59-113F) Extract duct (15-30°C; 59-95F) Room (15-30°C; 59-86F)"	-	-	
27274	TimerSw_Saturday_6_Mode		"0 - Manual 1 - Auto 2 - Pseudo OFF"	0	2	0
27275	TimerSw_Saturday_6_Heat		Only for AC	0	100	0
27276	TimeSw_Saturday_7_OnHourMin			0:00	23:59	24:00
27277	TimeSw_Saturday_7_OffHourMin			0:00	23:59	24:00
27278	TimeSw_Saturday_7_AirFlow		"Range set according locality (FACTORY SET: 10102 and 10110 ...10119) and Ventilation mode (SERVICE_HARD: 25000): MANUAL = % of fan power CAV for EU = m3/h CAV - for USA = cfm DCV, VAV, VAV C4 - not available"	-	-	
27279	TimeSw_Saturday_7_Temp		"Range according locality (FACTORY SET: 10102): EU = °C USA = F and Setpoint sensor selection (SERVICE:20001): Supply duct (15-45°C; 59-113F) Extract duct (15-30°C; 59-95F) Room (15-30°C; 59-86F)"	-	-	
27280	TimerSw_Saturday_7_Mode		"0 - Manual 1 - Auto 2 - Pseudo OFF"	0	2	0
27281	TimerSw_Saturday_7_Heat		Only for AC	0	100	0
27282	TimeSw_Saturday_8_OnHourMin			0:00	23:59	<b>24:00</b>
27283	TimeSw_Saturday_8_OffHourMin			0:00	23:59	24:00
27284	TimeSw_Saturday_8_AirFlow		"Range set according locality (FACTORY SET: 10102 and 10110 ...10119) and Ventilation mode (SERVICE_HARD: 25000): MANUAL = % of fan power CAV for EU = m3/h CAV - for USA = cfm DCV, VAV, VAV C4 - not available"	-	-	
27285	TimeSw_Saturday_8_Temp		"Range according locality (FACTORY SET: 10102): EU = °C USA = F and Setpoint sensor selection (SERVICE:20001): Supply duct (15-45°C; 59-113F) Extract duct (15-30°C; 59-95F) Room (15-30°C; 59-86F)"	-	-	
27286	TimerSw_Saturday_8_Mode		"0 - Manual 1 - Auto 2 - Pseudo OFF"	0	2	0

Address	Name	Structure	Info	Min. Value	Max. Value	Enum
27287	TimerSw_Saturday_8_Heat		Only for AC	0	100	0
27288	TimeSw_Sunday_1_OnHourMin			0:00	23:59	24:00
27289	TimeSw_Sunday_1_OffHourMin			0:00	23:59	24:00
27290	TimeSw_Sunday_1_AirFlow		"Range set according locality (FACTORY SET: 10102 and 10110 ...10119) and Ventilation mode (SERVICE_HARD: 25000): MANUAL = % of fan power CAV for EU = m3/h CAV - for USA = cfm DCV, VAV, VAV C4 - not available"	-	-	
27291	TimeSw_Sunday_1_Temp		"Range according locality (FACTORY SET: 10102): EU = °C USA = F and Setpoint sensor selection (SERVICE:20001): Supply duct (15-45°C; 59-113F) Extract duct (15-30°C; 59-95F) Room (15-30°C; 59-86F)"	-	-	
27292	TimerSw_Sunday_1_Mode		"0 - Manual 1 - Auto 2 - Pseudo OFF"	0	2	0
27293	TimerSw_Sunday_1_Heat		Only for AC	0	100	0
27294	TimeSw_Sunday_2_OnHourMin			0:00	23:59	24:00
27295	TimeSw_Sunday_2_OffHourMin			0:00	23:59	24:00
27296	TimeSw_Sunday_2_AirFlow		"Range set according locality (FACTORY SET: 10102 and 10110 ...10119) and Ventilation mode (SERVICE_HARD: 25000): MANUAL = % of fan power CAV for EU = m3/h CAV - for USA = cfm DCV, VAV, VAV C4 - not available"	-	-	
27297	TimeSw_Sunday_2_Temp		"Range according locality (FACTORY SET: 10102): EU = °C USA = F and Setpoint sensor selection (SERVICE:20001): Supply duct (15-45°C; 59-113F) Extract duct (15-30°C; 59-95F) Room (15-30°C; 59-86F)"	-	-	
27298	TimerSw_Sunday_2_Mode		"0 - Manual 1 - Auto 2 - Pseudo OFF"	0	2	0
27299	TimerSw_Sunday_2_Heat		Only for AC	0	100	0
27300	TimeSw_Sunday_3_OnHourMin			0:00	23:59	24:00
27301	TimeSw_Sunday_3_OffHourMin			0:00	23:59	24:00
27302	TimeSw_Sunday_3_AirFlow		"Range set according locality (FACTORY SET: 10102 and 10110 ...10119) and Ventilation mode (SERVICE_HARD: 25000): MANUAL = % of fan power CAV for EU = m3/h CAV - for USA = cfm DCV, VAV, VAV C4 - not available"	-	-	
27303	TimeSw_Sunday_3_Temp		"Range according locality (FACTORY SET: 10102): EU = °C USA = F and Setpoint sensor selection (SERVICE:20001): Supply duct (15-45°C; 59-113F) Extract duct (15-30°C; 59-95F) Room (15-30°C; 59-86F)"	-	-	
27304	TimerSw_Sunday_3_Mode		"0 - Manual 1 - Auto 2 - Pseudo OFF"	0	2	0
27305	TimerSw_Sunday_3_Heat		Only for AC	0	100	0
27306	TimeSw_Sunday_4_OnHourMin			0:00	23:59	24:00
27307	TimeSw_Sunday_4_OffHourMin			0:00	23:59	24:00
27308	TimeSw_Sunday_4_AirFlow		"Range set according locality (FACTORY SET: 10102 and 10110 ...10119) and Ventilation mode (SERVICE_HARD: 25000): MANUAL = % of fan power CAV for EU = m3/h CAV - for USA = cfm DCV, VAV, VAV C4 - not available"	-	-	
27309	TimeSw_Sunday_4_Temp		"Range according locality (FACTORY SET: 10102): EU = °C USA = F and Setpoint sensor selection (SERVICE:20001): Supply duct (15-45°C; 59-113F) Extract duct (15-30°C; 59-95F) Room (15-30°C; 59-86F)"	-	-	

Address	Name	Structure	Info	Min. Value	Max. Value	Enum
27310	TimerSw_Sunday_4_Mode		"0 - Manual 1 - Auto 2 - Pseudo OFF"	0	2	0
27311	TimerSw_Sunday_4_Heat		Only for AC	0	100	0
27312	TimeSw_Sunday_5_OnHourMin			0:00	23:59	24:00
27313	TimeSw_Sunday_5_OffHourMin			0:00	23:59	24:00
27314	TimeSw_Sunday_5_AirFlow		"Range set according locality (FACTORY SET: 10102 and 10110 ...10119) and Ventilation mode (SERVICE_HARD: 25000): MANUAL = % of fan power CAV for EU = m3/h CAV - for USA = cfm DCV, VAV, VAV C4 - not available"	-	-	
27315	TimeSw_Sunday_5_Temp		"Range according locality (FACTORY SET: 10102): EU = °C USA = F and Setpoint sensor selection (SERVICE:20001): Supply duct (15-45°C; 59-113F) Extract duct (15-30°C; 59-95F) Room (15-30°C; 59-86F)"	-	-	
27316	TimerSw_Sunday_5_Mode		"0 - Manual 1 - Auto 2 - Pseudo OFF"	0	2	0
27317	TimerSw_Sunday_5_Heat		Only for AC	0	100	0
27318	TimeSw_Sunday_6_OnHourMin			0:00	23:59	24:00
27319	TimeSw_Sunday_6_OffHourMin			0:00	23:59	24:00
27320	TimeSw_Sunday_6_AirFlow		"Range set according locality (FACTORY SET: 10102 and 10110 ...10119) and Ventilation mode (SERVICE_HARD: 25000): MANUAL = % of fan power CAV for EU = m3/h CAV - for USA = cfm DCV, VAV, VAV C4 - not available"	-	-	
27321	TimeSw_Sunday_6_Temp		"Range according locality (FACTORY SET: 10102): EU = °C USA = F and Setpoint sensor selection (SERVICE:20001): Supply duct (15-45°C; 59-113F) Extract duct (15-30°C; 59-95F) Room (15-30°C; 59-86F)"	-	-	
27322	TimerSw_Sunday_6_Mode		"0 - Manual 1 - Auto 2 - Pseudo OFF"	0	2	0
27323	TimerSw_Sunday_6_Heat		Only for AC	0	100	0
27324	TimeSw_Sunday_7_OnHourMin			0:00	23:59	24:00
27325	TimeSw_Sunday_7_OffHourMin			0:00	23:59	24:00
27326	TimeSw_Sunday_7_AirFlow		"Range set according locality (FACTORY SET: 10102 and 10110 ...10119) and Ventilation mode (SERVICE_HARD: 25000): MANUAL = % of fan power CAV for EU = m3/h CAV - for USA = cfm DCV, VAV, VAV C4 - not available"	-	-	
27327	TimeSw_Sunday_7_Temp		"Range according locality (FACTORY SET: 10102): EU = °C USA = F and Setpoint sensor selection (SERVICE:20001): Supply duct (15-45°C; 59-113F) Extract duct (15-30°C; 59-95F) Room (15-30°C; 59-86F)"	-	-	
27328	TimerSw_Sunday_7_Mode		"0 - Manual 1 - Auto 2 - Pseudo OFF"	0	2	0

Address	Name	Structure	Info	Min. Value	Max. Value	Enum	
27329	TimerSw_Sunday_7_Heat		Only for AC	0	100	0	
27330	TimeSw_Sunday_8_OnHourMin			0:00	23:59	24:00	
27331	TimeSw_Sunday_8_OffHourMin			0:00	23:59	24:00	
27332	TimeSw_Sunday_8_AirFlow		"Range set according locality (FACTORY SET: 10102 and 10110 ...10119) and Ventilation mode (SERVICE_HARD: 25000): MANUAL = % of fan power CAV for EU = m3/h CAV - for USA = cfm DCV, VAV, VAV C4 - not available"	-	-		
27333	TimeSw_Sunday_8_Temp		"Range according locality (FACTORY SET: 10102): EU = °C USA = F and Setpoint sensor selection (SERVICE:20001): Supply duct (15-45°C; 59-113F) Extract duct (15-30°C; 59-95F) Room (15-30°C; 59-86F)"	-	-		
27334	TimerSw_Sunday_8_Mode		"0 - Manual 1 - Auto 2 - Pseudo OFF"	0	2	0	
27335	TimerSw_Sunday_8_Heat		Only for AC	0	100	0	

[BACK TO PAGE 11](#)

## TIME SWITCH YEAR - Time switch register (Factory reset set to default)

Address	Name	Structure	Info	Min. Value	Max. Value	Default	Enum
28000	TimeSWYear_Enable		Time switch 1 Year enable	0	1	1	"DISABLE ENABLE"
28001	TimeSwY_1_OnDay			1	31	1	
28002	TimeSwY_1_OnMonth			1	12	1	
28003	TimeSwY_1_OffDay			1	31	1	
28004	TimeSwY_1_OffMonth			1	31	1	
28005	TimeSwY_1_AirFlow		"Range set according locality (FACTORY SET: 10102 and 10110 ...10119) and Ventilation mode (SERVICE_HARD: 25000): MANUAL = % of fan power CAV for EU = m3/h CAV - for USA = cfm DCV, VAV, VAV C4 - not available"	-	-		
28006	TimeSwY_1_Temp		"Range according locality (FACTORY SET: 10102): EU = °C USA = F and Setpoint sensor selection (SERVICE:20001): Supply duct (15-45°C; 59-113F) Extract duct (15-30°C; 59-95F) Room (15-30°C; 59-86F)"	-	-		
28007	TimeSwY_1_Mode		"0 - Manual 1 - Auto 2 - Pseudo OFF"	0	2	0	
28008	TimeSwY_1_Heat		Only for AC	0	100	0	
28009	TimeSwY_2_OnDay			1	31	1	
28010	TimeSwY_2_OnMonth			1	12	1	
28011	TimeSwY_2_OffDay			1	31	1	
28012	TimeSwY_2_OffMonth			1	31	1	
28013	TimeSwY_2_AirFlow		"Range set according locality (FACTORY SET: 10102 and 10110 ...10119) and Ventilation mode (SERVICE_HARD: 25000): MANUAL = % of fan power CAV for EU = m3/h CAV - for USA = cfm DCV, VAV, VAV C4 - not available"	-	-		
28014	TimeSwY_2_Temp		"Range according locality (FACTORY SET: 10102): EU = °C USA = F and Setpoint sensor selection (SERVICE:20001): Supply duct (15-45°C; 59-113F) Extract duct (15-30°C; 59-95F) Room (15-30°C; 59-86F)"	-	-		
28015	TimeSwY_2_Mode		"0 - Manual 1 - Auto 2 - Pseudo OFF"	0	2	0	
28016	TimeSwY_2_Heat		Only for AC	0	100	0	
28017	TimeSwY_3_OnDay			1	31	1	
28018	TimeSwY_3_OnMonth			1	12	1	
28019	TimeSwY_3_OffDay			1	31	1	
28020	TimeSwY_3_OffMonth			1	31	1	
28021	TimeSwY_3_AirFlow		"Range set according locality (FACTORY SET: 10102 and 10110 ...10119) and Ventilation mode (SERVICE_HARD: 25000): MANUAL = % of fan power CAV for EU = m3/h CAV - for USA = cfm DCV, VAV, VAV C4 - not available"	-	-		
28022	TimeSwY_3_Temp		"Range according locality (FACTORY SET: 10102): EU = °C USA = F and Setpoint sensor selection (SERVICE:20001): Supply duct (15-45°C; 59-113F) Extract duct (15-30°C; 59-95F) Room (15-30°C; 59-86F)"	-	-		



Address	Name	Structure	Info	Min. Value	Max. Value	Default	Enum
28023	TimeSwY_3_Mode		"0 - Manual 1 - Auto 2 - Pseudo OFF"	0	2	0	
28024	TimeSwY_3_Heat		Only for AC	0	100	0	
28025	TimeSwY_4_OnDay			1	31	1	
28026	TimeSwY_4_OnMonth			1	12	1	
28027	TimeSwY_4_OffDay			1	31	1	
28028	TimeSwY_4_OffMonth			1	31	1	
28029	TimeSwY_4_AirFlow		"Range set according locality (FACTORY SET: 10102 and 10110 ...10119) and Ventilation mode (SERVICE_HARD: 25000): MANUAL = % of fan power CAV for EU = m3/h CAV - for USA = cfm DCV, VAV, VAV C4 - not available"	-	-		
28030	TimeSwY_4_Temp		"Range according locality (FACTORY SET: 10102): EU = °C USA = F and Setpoint sensor selection (SERVICE:20001): Supply duct (15-45°C; 59-113F) Extract duct (15-30°C; 59-95F) Room (15-30°C; 59-86F)"	-	-		
28031	TimeSwY_4_Mode		"0 - Manual 1 - Auto 2 - Pseudo OFF"	0	2	0	
28032	TimeSwY_4_Heat		Only for AC	0	100	0	
28033	TimeSwY_5_OnDay			1	31	1	
28034	TimeSwY_5_OnMonth			1	12	1	
28035	TimeSwY_5_OffDay			1	31	1	
28036	TimeSwY_5_OffMonth			1	31	1	
28037	TimeSwY_5_AirFlow		"Range set according locality (FACTORY SET: 10102 and 10110 ...10119) and Ventilation mode (SERVICE_HARD: 25000): MANUAL = % of fan power CAV for EU = m3/h CAV - for USA = cfm DCV, VAV, VAV C4 - not available"	-	-		
28038	TimeSwY_5_Temp		"Range according locality (FACTORY SET: 10102): EU = °C USA = F and Setpoint sensor selection (SERVICE:20001): Supply duct (15-45°C; 59-113F) Extract duct (15-30°C; 59-95F) Room (15-30°C; 59-86F)"	-	-		
28039	TimeSwY_5_Mode		"0 - Manual 1 - Auto 2 - Pseudo OFF"	0	2	0	
28040	TimeSwY_5_Heat		Only for AC	0	100	0	
28041	TimeSwY_6_OnDay			1	31	1	
28042	TimeSwY_6_OnMonth			1	12	1	
28043	TimeSwY_6_OffDay			1	31	1	
28044	TimeSwY_6_OffMonth			1	31	1	
28045	TimeSwY_6_AirFlow		"Range set according locality (FACTORY SET: 10102 and 10110 ...10119) and Ventilation mode (SERVICE_HARD: 25000): MANUAL = % of fan power CAV for EU = m3/h CAV - for USA = cfm DCV, VAV, VAV C4 - not available"	-	-		
28046	TimeSwY_6_Temp		"Range according locality (FACTORY SET: 10102): EU = °C USA = F and Setpoint sensor selection (SERVICE:20001): Supply duct (15-45°C; 59-113F) Extract duct (15-30°C; 59-95F) Room (15-30°C; 59-86F)"	-	-		
28047	TimeSwY_6_Mode		"0 - Manual 1 - Auto 2 - Pseudo OFF"	0	2	0	
28048	TimeSwY_6_Heat		Only for AC	0	100	0	
28049	TimeSwY_7_OnDay			1	31	1	

Address	Name	Structure	Info	Min. Value	Max. Value	Default	Enum
28050	TimeSwY_7_OnMonth			1	12	1	
28051	TimeSwY_7_OffDay			1	31	1	
28052	TimeSwY_7_OffMonth			1	31	1	
28053	TimeSwY_7_AirFlow		"Range set according locality (FACTORY SET: 10102 and 10110 ...10119) and Ventilation mode (SERVICE_HARD: 25000): MANUAL = % of fan power CAV for EU = m3/h CAV - for USA = cfm DCV, VAV, VAV C4 - not available"	-	-		
28054	TimeSwY_7_Temp		"Range according locality (FACTORY SET: 10102): EU = °C USA = F and Setpoint sensor selection (SERVICE:20001): Supply duct (15-45°C; 59-113F) Extract duct (15-30°C; 59-95F) Room (15-30°C; 59-86F)"	-	-		
28055	TimeSwY_7_Mode		"0 - Manual 1 - Auto 2 - Pseudo OFF"	0	2	0	
28056	TimeSwY_7_Heat		Only for AC	0	100	0	
28057	TimeSwY_8_OnDay			1	31	1	
28058	TimeSwY_8_OnMonth			1	12	1	
28059	TimeSwY_8_OffDay			1	31	1	
28060	TimeSwY_8_OffMonth			1	31	1	
28061	TimeSwY_8_AirFlow		"Range set according locality (FACTORY SET: 10102 and 10110 ...10119) and Ventilation mode (SERVICE_HARD: 25000): MANUAL = % of fan power CAV for EU = m3/h CAV - for USA = cfm DCV, VAV, VAV C4 - not available"	-	-		
28062	TimeSwY_8_Temp		"Range according locality (FACTORY SET: 10102): EU = °C USA = F and Setpoint sensor selection (SERVICE:20001): Supply duct (15-45°C; 59-113F) Extract duct (15-30°C; 59-95F) Room (15-30°C; 59-86F)"	-	-		
28063	TimeSwY_8_Mode		"0 - Manual 1 - Auto 2 - Pseudo OFF"	0	2	0	
28064	TimeSwY_8_Heat		Only for AC	0	100	0	
28065	TimeSwY_9_OnDay			1	31	1	
28066	TimeSwY_9_OnMonth			1	12	1	
28067	TimeSwY_9_OffDay			1	31	1	
28068	TimeSwY_9_OffMonth			1	31	1	
28069	TimeSwY_9_AirFlow		"Range set according locality (FACTORY SET: 10102 and 10110 ...10119) and Ventilation mode (SERVICE_HARD: 25000): MANUAL = % of fan power CAV for EU = m3/h CAV - for USA = cfm DCV, VAV, VAV C4 - not available"	-	-		
28070	TimeSwY_9_Temp		"Range according locality (FACTORY SET: 10102): EU = °C USA = F and Setpoint sensor selection (SERVICE:20001): Supply duct (15-45°C; 59-113F) Extract duct (15-30°C; 59-95F) Room (15-30°C; 59-86F)"	-	-		
28071	TimeSwY_9_Mode		"0 - Manual 1 - Auto 2 - Pseudo OFF"	0	2	0	
28072	TimeSwY_9_Heat		Only for AC	0	100	0	

Address	Name	Structure	Info	Min. Value	Max. Value	Default	Enum
28073	TimeSwY_10_OnDay			1	31	1	
28074	TimeSwY_10_OnMonth			1	12	1	
28075	TimeSwY_10_OffDay			1	31	1	
28076	TimeSwY_10_OffMonth			1	31	1	
28077	TimeSwY_10_AirFlow		"Range set according locality (FACTORY SET: 10102 and 10110 ...10119) and Ventilation mode (SERVICE_HARD: 25000): MANUAL = % of fan power CAV for EU = m3/h CAV - for USA = cfm DCV, VAV, VAV C4 - not available"	-	-		
28078	TimeSwY_10_Temp		"Range according locality (FACTORY SET: 10102): EU = °C USA = F and Setpoint sensor selection (SERVICE:20001): Supply duct (15-45°C; 59-113F) Extract duct (15-30°C; 59-95F) Room (15-30°C; 59-86F)"	-	-		
28079	TimeSwY_10_Mode		"0 - Manual 1 - Auto 2 - Pseudo OFF"	0	2	0	
28080	TimeSwY_10_Heat		Only for AC	0	100	0	

[BACK TO PAGE 11](#)

## ERROR LOG AC - Status register (Factory reset no effect)

Address	Name	Structure	Info	Min. Value	Max. Value	Default	Enum
30000	day						
30001	month						
30002	hour						
30003	min						
<b>Unit global status</b>							
30004	bit0		OFF/ON	0	1		
	bit1		Automatic heat	0	1		
	bit2		Automatic flow	0	1		
	bit3		NightReduction	0	1		
	bit4		Timeswitch	0	1		
	bit5		Cooldown	0	1		
	bit6		WaterHeater_antifreeze_protection	0	1		
	bit7		WaterHeater waiting for hot water	0	1		
	bit8		SummerHeat	0	1		
	bit8		OpenDoor	0	1		
	bit10		DoorAfterRunning	0	1		
		Software error					
30005	bit0		SwFanError	0	1		
	bit1		SwFanError1	0	1		
	bit2		SwFilterError	0	1		
	bit3		SwFilterWarning	0	1		
	bit4		SwHeaterError	0	1		
	bit5		SwDXError	0	1		
	bit6		SwDXDefrost	0	1		
	bit7		SwGlobalError	0	1		
	bit8		CfgFileError	0	1		
		Software error 1					
30006	reserva						
<b>Sensor status</b>							
30007	bit0		TempEXT1St	0	1		
	bit1		TempEXT3St	0	1		
	bit2		TempINT1St	0	1		
	bit3		TempWOutSt	0	1		
	bit4		TempRoomSt	0	1		
	bit5		OutsideTempSensorBmsSt	0	1		
	bit6		RoomTempSensorBmsSt	0	1		
	bit7		SensorFlowAlarmSt	0	1		
<b>Input Status</b>							
30008	bit0		Status DI_1_SafetyTherm1	0	0		
	bit1		Status DI_2_SafetyTherm2	0	0		
	bit2		Status DI_3_Ext_Control	0	1		
	bit3		Status DI_4_RoomThermostat	0	1		
	bit4		Status DI_5_Door	0	1		
	bit5		Status_DI_TACHO_1	0	1		
	bit6		Status_DI_TACHO_2	0	1		
	bit7		Status_DI_TACHO_3	0	1		
	bit8		Status_DI_TACHO_4	0	1		
	bit9		Status_DI_TACHO_5	0	1		
	bit10		Status_DI_TACHO_6	0	1		
	bit11		Status_DI_TACHO_7	0	1		
	bit12		Status_DI_TACHO_8	0	1		
	bit13		Status_DI_6_ADB_DX_error	0	1		
	bit14		Status_DI_7_HeatPumpDefrost	0	1		
	bit15		Status_DI_8_HeatPumpError	0	1		

Address	Name	Structure	Info	Min. Value	Max. Value	Default	Enum
<b>Output Status</b>							
30009	bit0		Status_DO_1_Heat1	0	1		
	bit1		Status_DO_1_Heat2	0	1		
	bit2		Status_DO_3_Run_indication	0	1		
	bit3		Status_DO_4_Error	0	1		
	bit4		Status_DO_5_Heat_cool	0	1		
	bit5		Status_DO_6_Water_pump	0	1		
30010	AirFlowFanManual		% of fan power	0	1000		
30011	TempEXT1		°C (°F)	-40 (-40)	100 (212)		
30012	TempEXT3		°C (°F)	-40 (-40)	100 (212)		
30013	TempINT1		°C (°F)	-40 (-40)	100 (212)		
30014	TempWOut		°C (°F)	-40 (-40)	100 (212)		
30015	TempRoom		°C (°F)	-40 (-40)	100 (212)		
30016	SensorFlowAlarm			0	1		
30017	PowerHeater		%	0	100		
30018	TempOutsideBMS		°C (°F)	-40 (-40)	100 (212)		
30019	RoomBMS		°C (°F)	-40 (-40)	101 (212)		
30020	FilterPercent		%	0	100		
30021	dummy			0	0xFFFF		
<b>Tacho Board Status</b>							
30022	bit1		Status_DI_TACHO_1	0	1		
	bit2		Status_DI_TACHO_2	0	1		
	bit3		Status_DI_TACHO_3	0	1		
	bit4		Status_DI_TACHO_4	0	1		
	bit5		Status_DI_TACHO_5	0	1		
	bit6		Status_DI_TACHO_6	0	1		
	bit7		Status_DI_TACHO_7	0	1		
	bit8		Status_DI_TACHO_8	0	1		
	bit9		Status_DI_TACHO_9	0	1		
	bit10		Status_DI_TACHO_10	0	1		
30023	Reserva						
30024	Reserva						

[BACK TO PAGE 11](#)

## NETWORK - Network register (Factory reset no effect)

Address	Name	Structure	Info	Min. Value	Max. Value	Default	Enum
26000	IP adress 0.x.x.x		IP adress part1 (0x00-0xFF)	0	255	192	
26001	IP adress x.0.x.x		IP adress part2 (0x00-0xFF)	0	255	168	
26002	IP adress x.x.0.x		IP adress part3 (0x00-0xFF)	0	255	0	
26003	IP adress x.x.x.0		IP adress part4 (0x00-0xFF)	0	255	1	
26004	Mask 0.x.x.x		Mask part1 (0x00-0xFF)	0	255	255	
26005	Mask x.0.x.x		Mask part2 (0x00-0xFF)	0	255	255	
26006	Mask x.x.0.x		Mask part3 (0x00-0xFF)	0	255	255	
26007	Mask x.x.x.0		Mask part4 (0x00-0xFF)	0	255	0	
26008	Gateway 0.x.x.x		Gateway part1 (0x00-0xFF)	0	255	192	
26009	Gateway x.0.x.x		Gateway part2 (0x00-0xFF)	0	255	168	
26010	Gateway x.x.0.x		Gateway part3 (0x00-0xFF)	0	255	0	
26011	Gateway x.x.x.0		Gateway part4 (0x00-0xFF)	0	255	0	
26012	DHCP		"0 - DHCP off 1 - DHCP on"	0	1	0	
26013	ModbusPort		Port number 1 - 0xFFFF	1	0xFFFF	502	

[BACK TO PAGE 11](#)

## NORDIC SERVICE - Nordic service register (Factory reset set to default)

Address	Name	Structure	Info	Min. Value	Max. Value	Default	Enum
43000	Valve exercising enable			0	1	0	
43001	Valve exercising time			1	120	60	
43002	Valve bleeding			0	30	0	
43003	Door close fan off enable			0	1	0	
43004	Door close fan off temperature			5	30	20	
43005	Door close fan off delay			0	120		
43006	reserva			0	0	0	
43007	Door fan limits open min			15	40	20	
43008	Door fan limits open max			40	100	100	
43009	Door fan limits close min			15	40	20	
43010	Door fan limits close max			40	100	100	
43011	Antifreze sensor enable			0	3	3	
	bit0		Air	0	1	1	
	bit1		Water	0	1	1	
43012	Water return limit enable			0	1	0	
43013	Water return limit temperature			15	85	50	
43014	Outlet temp limit			5	30	17	
43015	Alarm temp room enable			0	1	0	
43016	Fan off temp room enable			0	1	0	
43017	Fan off temp room			1	5	2	
43018	Damper open			0	100	10	
43019	Damper delay			0	120	30	
43020	Savana fan limits min			15	40	15	
43021	Savana fan limits max			40	100	60	
43022	Outlet limitation room			0	1		
43023	reserva			0	0	0	
43024	reserva			0	0	0	
43025	reserva			0	0	0	

[BACK TO PAGE 11](#)

## BMS TEMP SENSORS - (Factory reset no effect)

Address	Name	Structure	Info
23000	RoomBms		write temperature *10
23001	RoomBms-Status		status of sensor
23002	OutsideBms		write temperature *10
23003	OutsideBms-Status		status of sensor

[BACK TO PAGE 11](#)

## **CONTACT**

**Address:**

2VV, s.r.o.,  
Fáblovka 568,  
533 52 Pardubice  
Czech Republic

**Internet:**

<http://www.2vv.cz/>

