

# TA-Slider 160

## i ventilatsats LVIM / LVIN

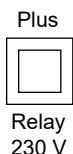


0°C - +50°C (5-95% RH, icke kondenserande)



0°C - +120°C

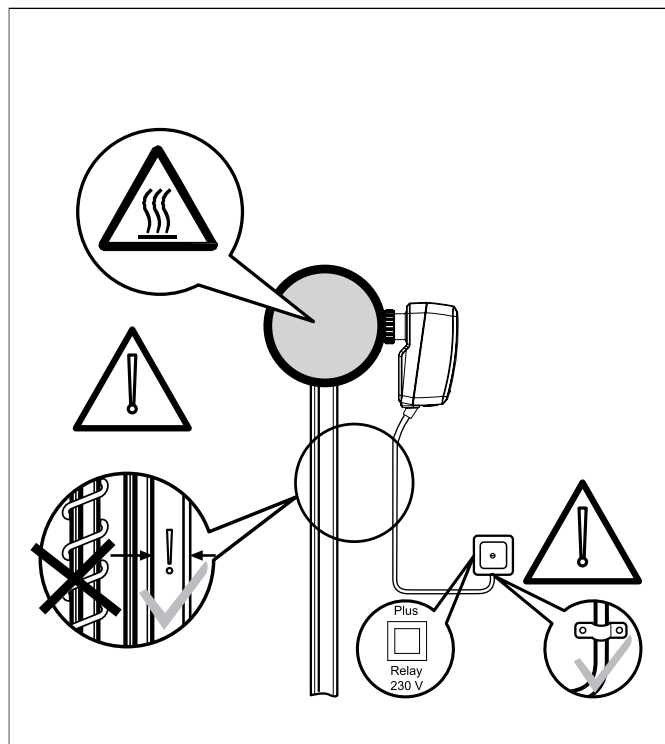
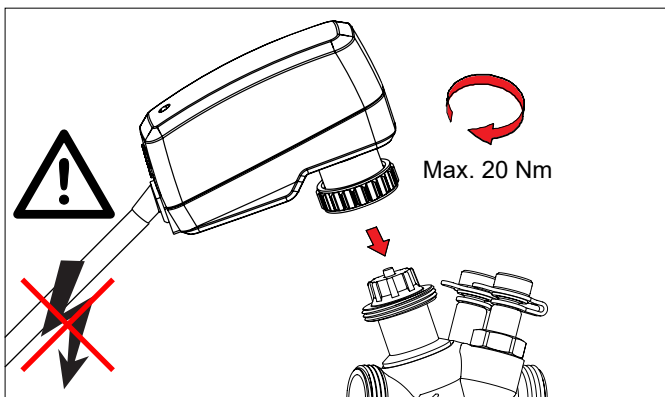
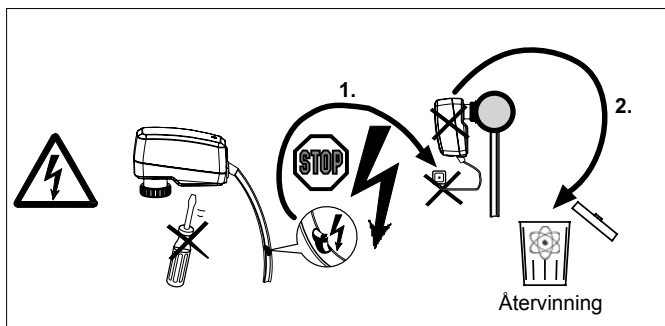
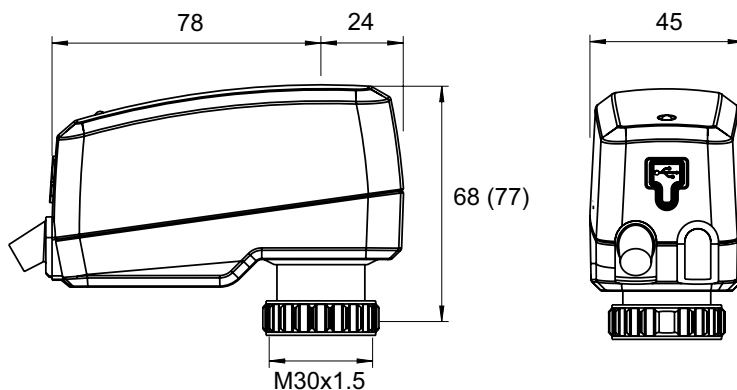
-20°C - +70°C (5-95% RH, icke kondenserande)



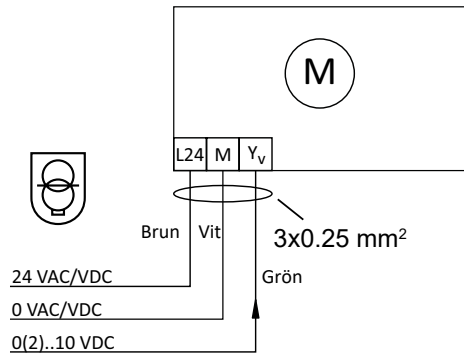
24 VAC/VDC




IP54



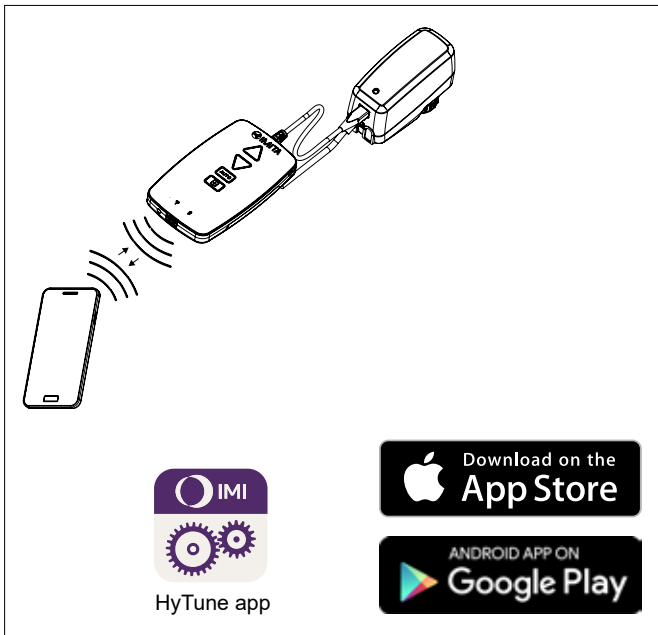
## Kopplingsschema



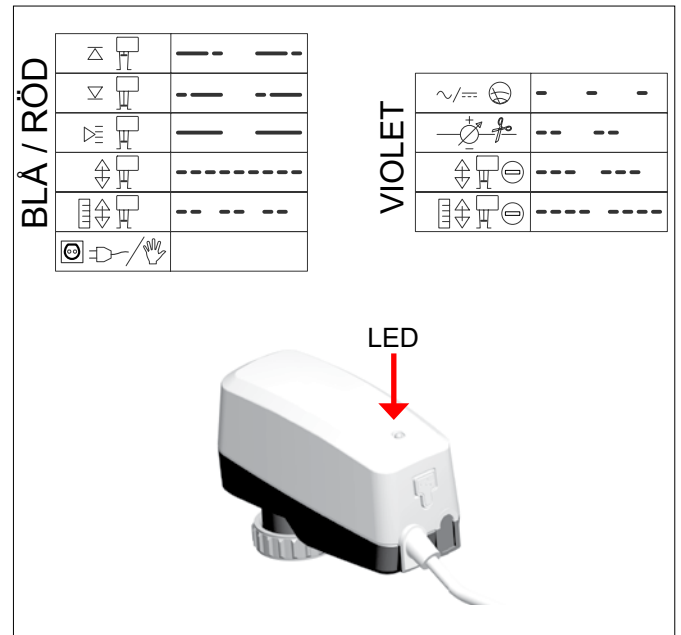
| Terminal       | Description   |
|----------------|---|
| L24            | Power supply 24 VAC/VDC   |
| M              | Neutral for power supply 24 VAC/VDC and signals   |
| Y <sub>v</sub> | Input signal for proportional control 0(2)..10 VDC, 47 kΩ   |
| X <sub>v</sub> | Output signal 0(2)..10 VDC, max. 8 mA or min. load resistance 1.25 kΩ                                       |
| B              | Connection for potential free contact (e.g. open window detection), max. 100 Ω, max. 10 m cable or shielded |
| NC             | Normally closed contact for relay   |
| NO             | Normally open contact for relay   |

 24 VAC/VDC operating only with safety transformer according EN 61558-2-6

## Quick start



## LED



Vi förbehåller oss rätten att införa tekniska ändringar utan föregående meddelande.

**EVECO**